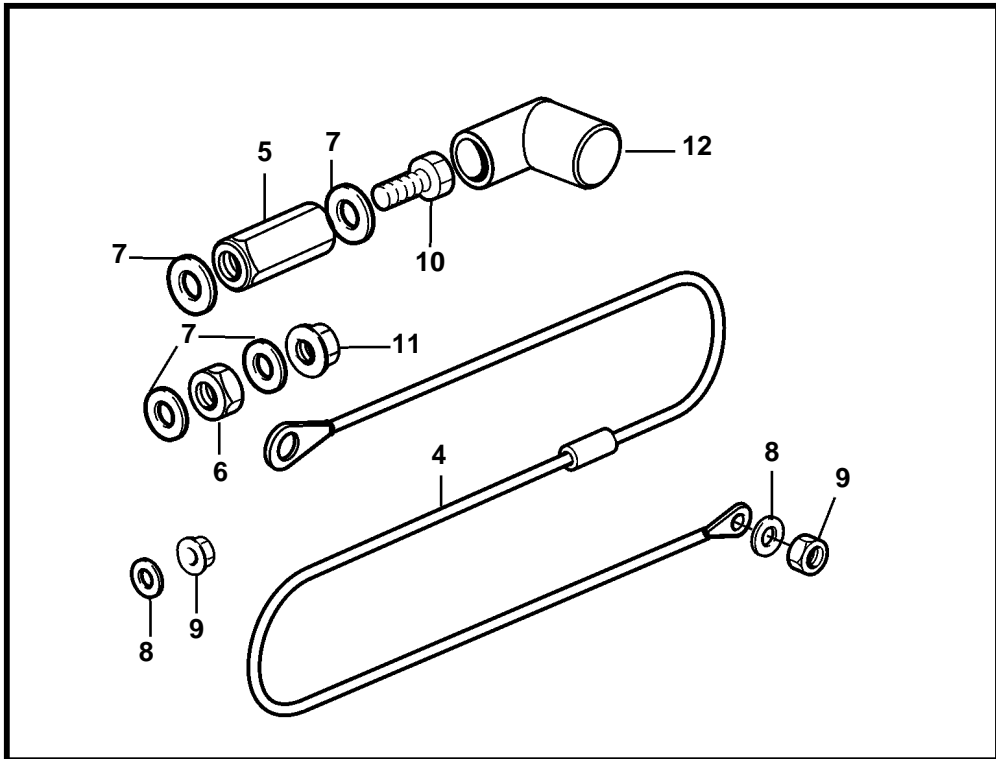
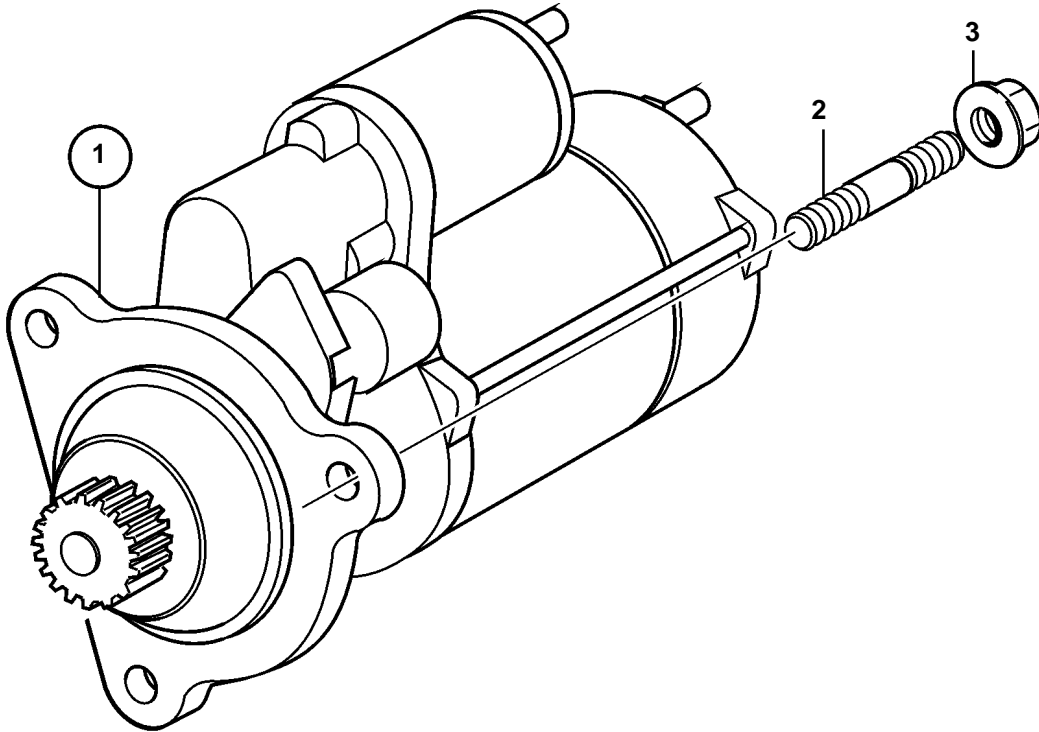


D12C-A MP, D12D-A MP, D12D-B MP, D12D-A MH, D12D-B MH



D12C-A MP, D12D-A MP, D12D-B MP, D12D-A MH, D12D-B MH

REF	PART NO.	QTY	DESCRIPTION	SEE SEC.	NOTES
1	874468	1	Starter motor		
	3803872	1	Starter motor, exch		Exchange unit
				5853	
2	953098	3	Stud		
3	971096	3	Nut		
5	857180	1	Nut		M10x32mm
6	971071	1	Nut		M10
7	941908	4	Spring washer		
8	949607	1	Spring washer		
11	971095	1	Nut		
12	855798	1	Protecting sleeve		