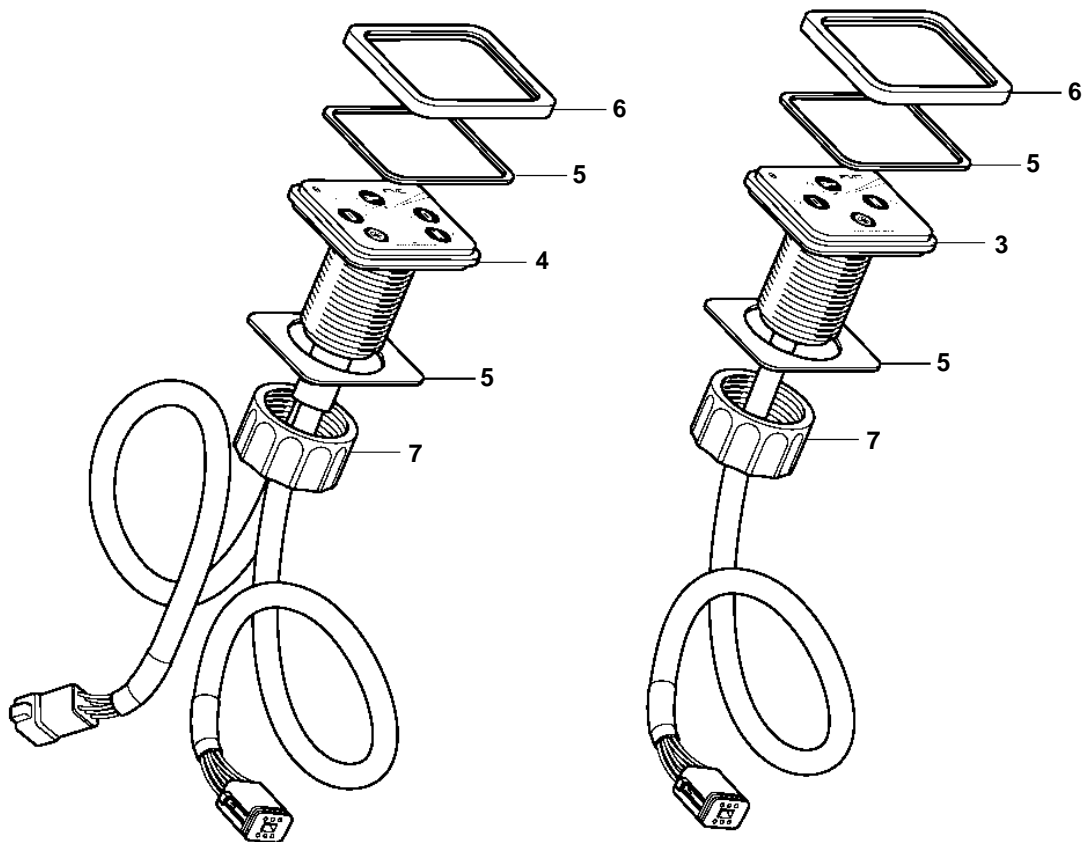
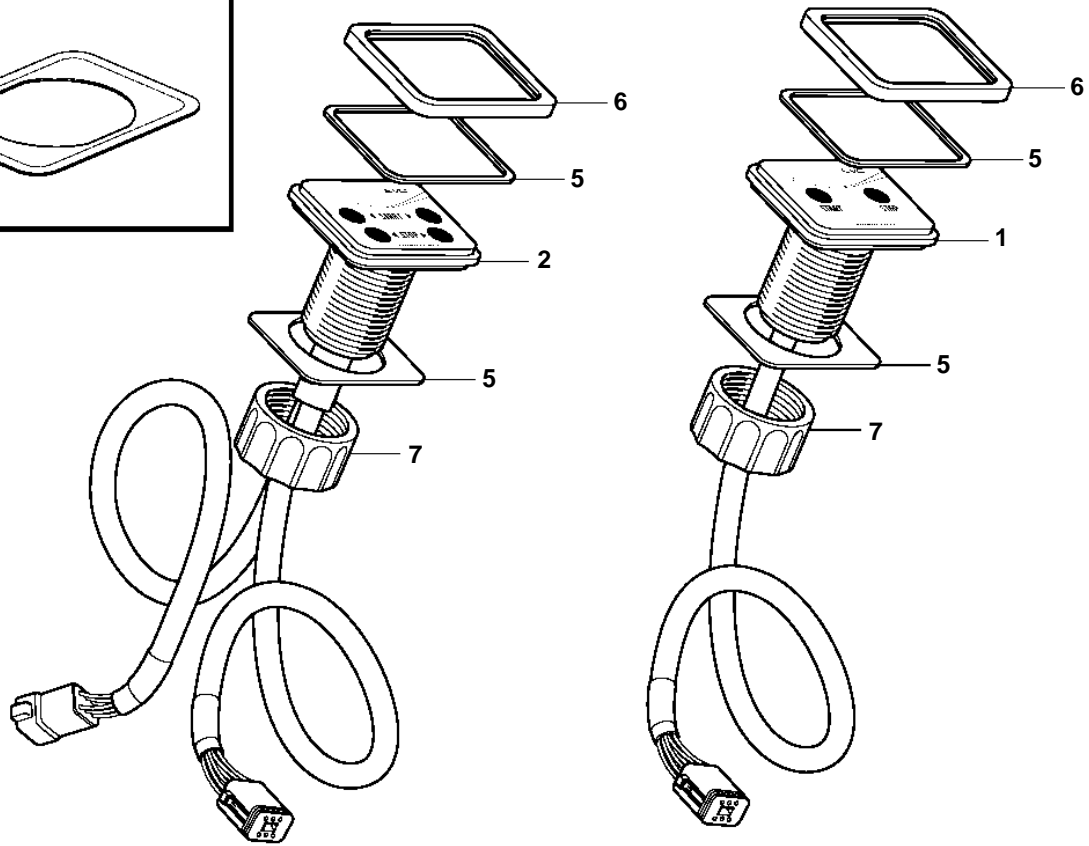
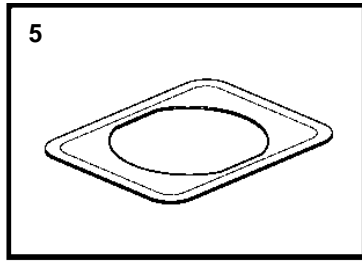


D12D-B MP



20807

D12D-B MP

REF	PART NO.	QTY	DESCRIPTION	NOTES
1	3807315	1	Control panel	Single installation.
2	3807316	1	Control panel	Twin installation.
3	3807312	1	Control panel	Single installation.
4	3807313	1	Control panel	Twin installation.
5	3808135	1	Gasket	Also for flushmounting.
6	3808131	1	Frame	
7	3808134	1	Nut	