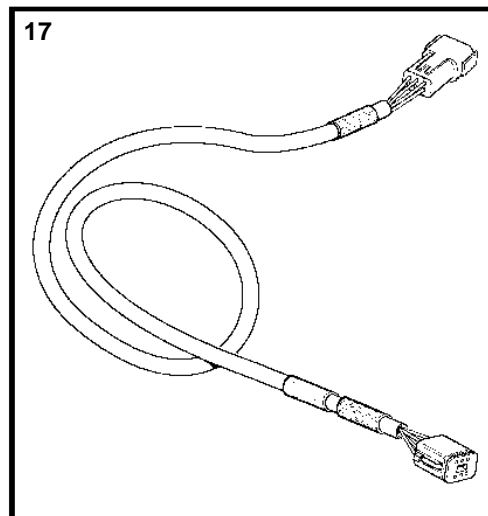
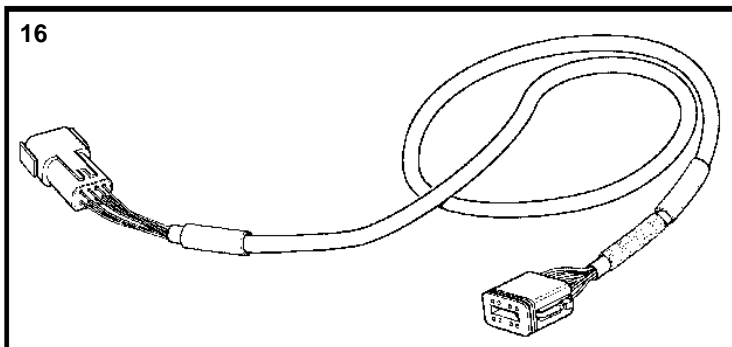
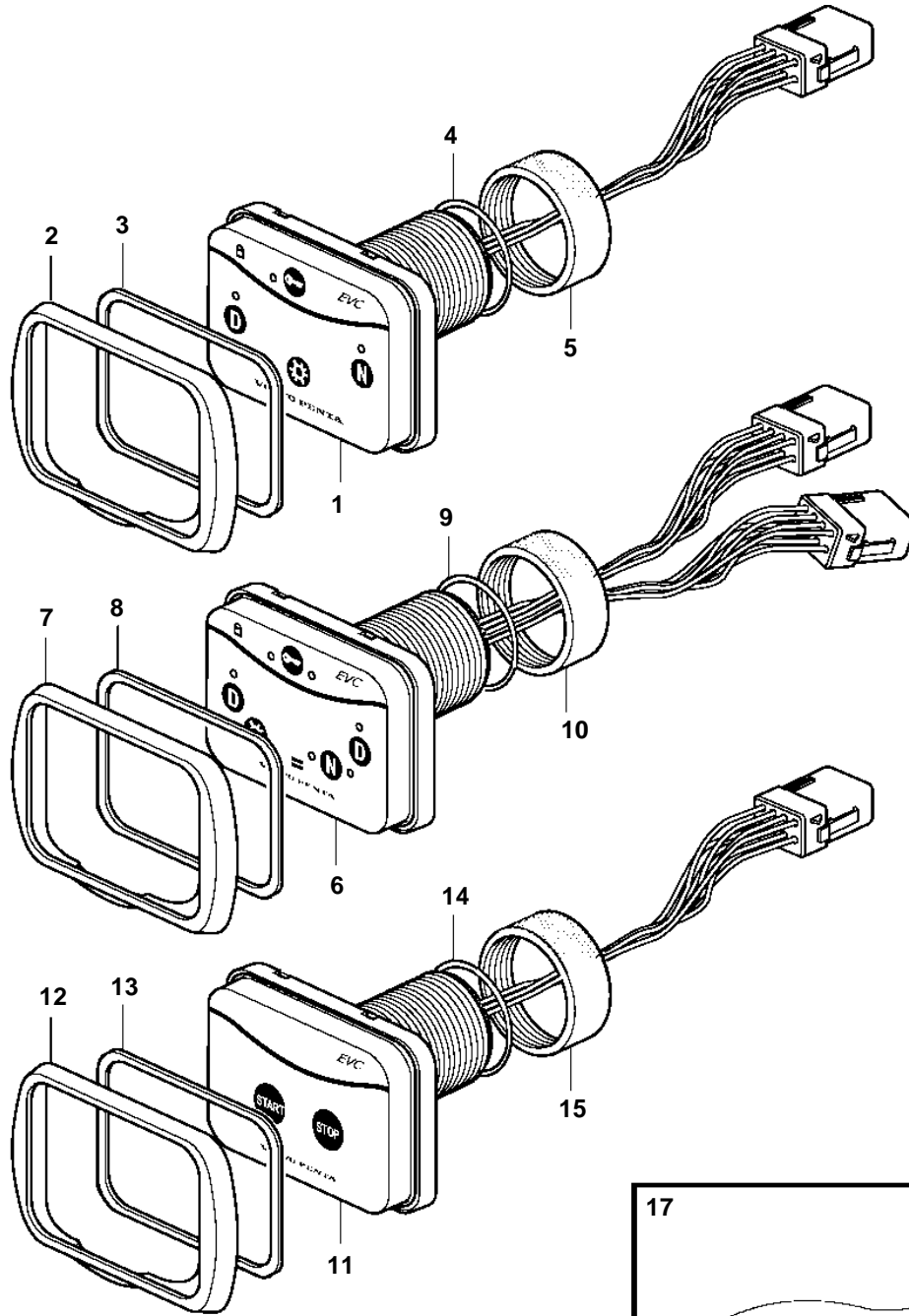


D12D-A MP, D12D-B MH



D12D-A MP, D12D-B MH

REF	PART NO.	QTY	DESCRIPTION	NOTES
1	874459	X	Control panel	Single installation.. Includes 1 pc of cabel harness 874677.
2	874149	1	· Frame	
3	874192	1	· Gasket	
4	874191	1	· O-ring	
5	874193	1	· Round nut	
6	874460	X	Control panel	Includes 2 pc of cabel harness 874677.
7	874149	1	· Frame	
8	874192	1	· Gasket	
9	874191	1	· O-ring	
10	874193	1	· Round nut	
11	874461	X	Control panel	
12	874149	1	· Frame	
13	874192	1	· Gasket	
14	874191	1	· O-ring	
15	874193	1	· Round nut	
16	874677	1	Cable kit	L=1,5m. EVC control panel cable, 8-pole for HCU.
17	874749	1	Cable kit	L=1,5m. For start and stop panel 874837 for HCU.