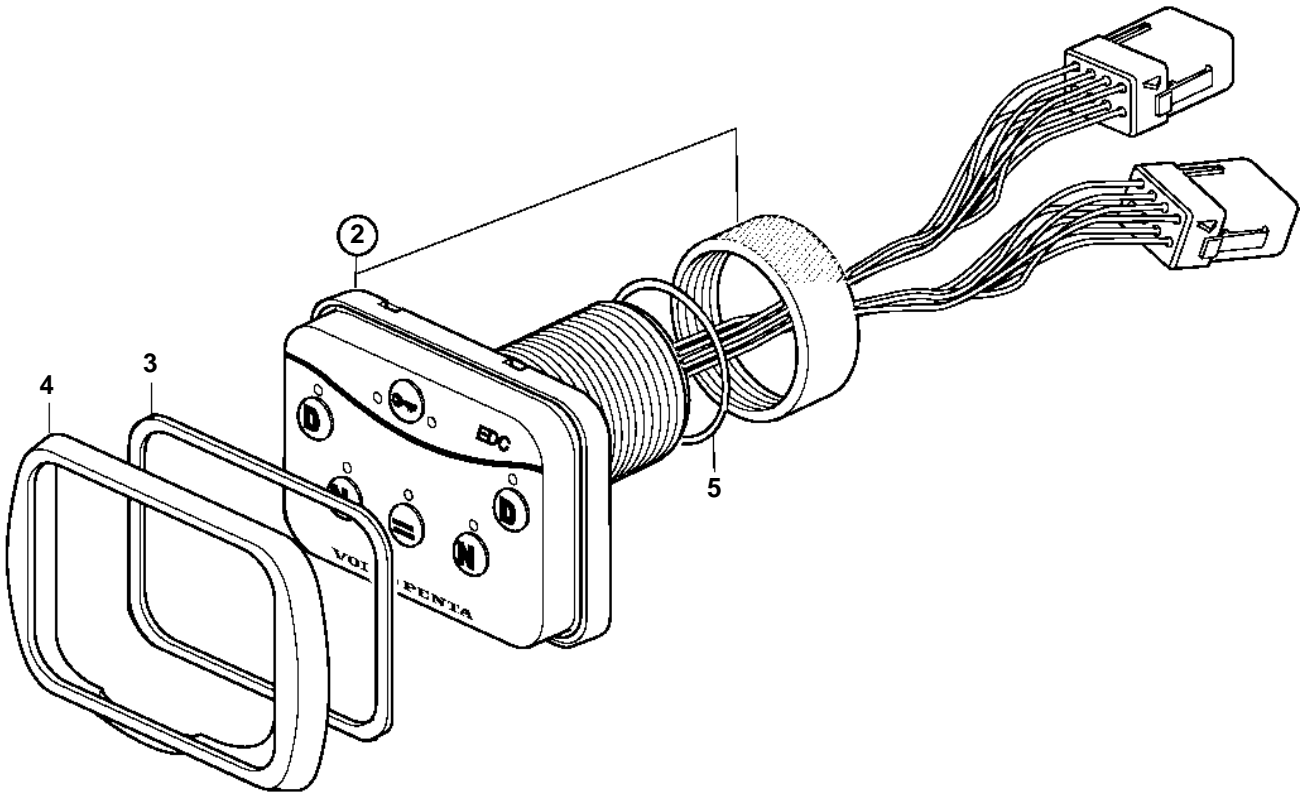
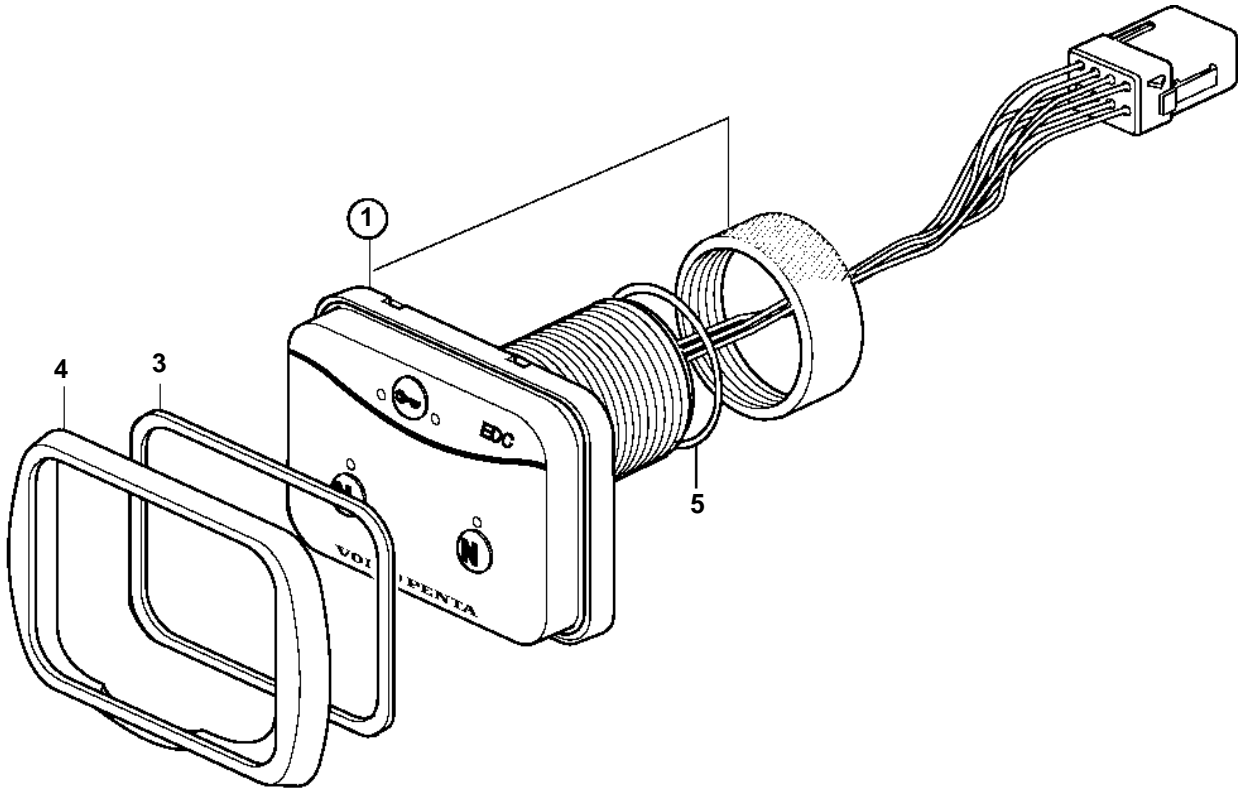


D12C-A MP, D12D-A MH



D12C-A MP, D12D-A MH

REF	PART NO.	QTY	DESCRIPTION	NOTES
1	874121	1	Control panel	Single engine installation. For single or multi stations.. For 2x8-pole system.
3	874192	1	· Gasket	ALT
4	874149	1	· Frame	ALT
5	874191	1	· O-ring	