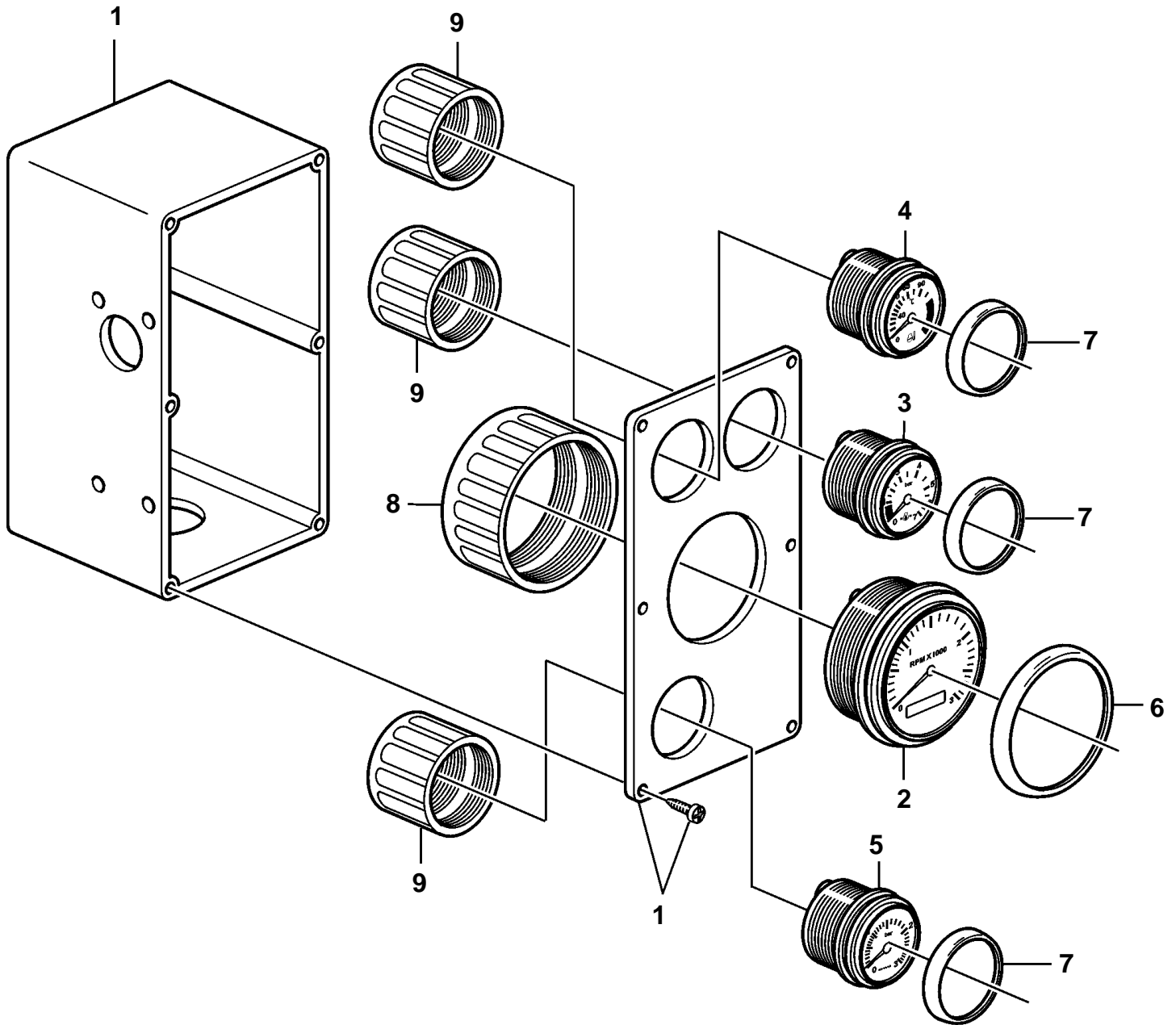


D12D-A MP, D12D-B MH



19961

D12D-A MP, D12D-B MH

REF	PART NO.	QTY	DESCRIPTION	NOTES
1	3837995	1	Box	
2	874903	1	Tachometer	
3	874908	1	Oil pressure gauge	
4	874904	1	Thermometer	
5	874911	1	Pressure gauge, coolant water	
6	874447	1	Ring	D=85mm
7	874448	3	Ring	D=52mm
8	874449	1	Attaching ring	D=85mm
9	874450	3	Attaching ring	D=52mm