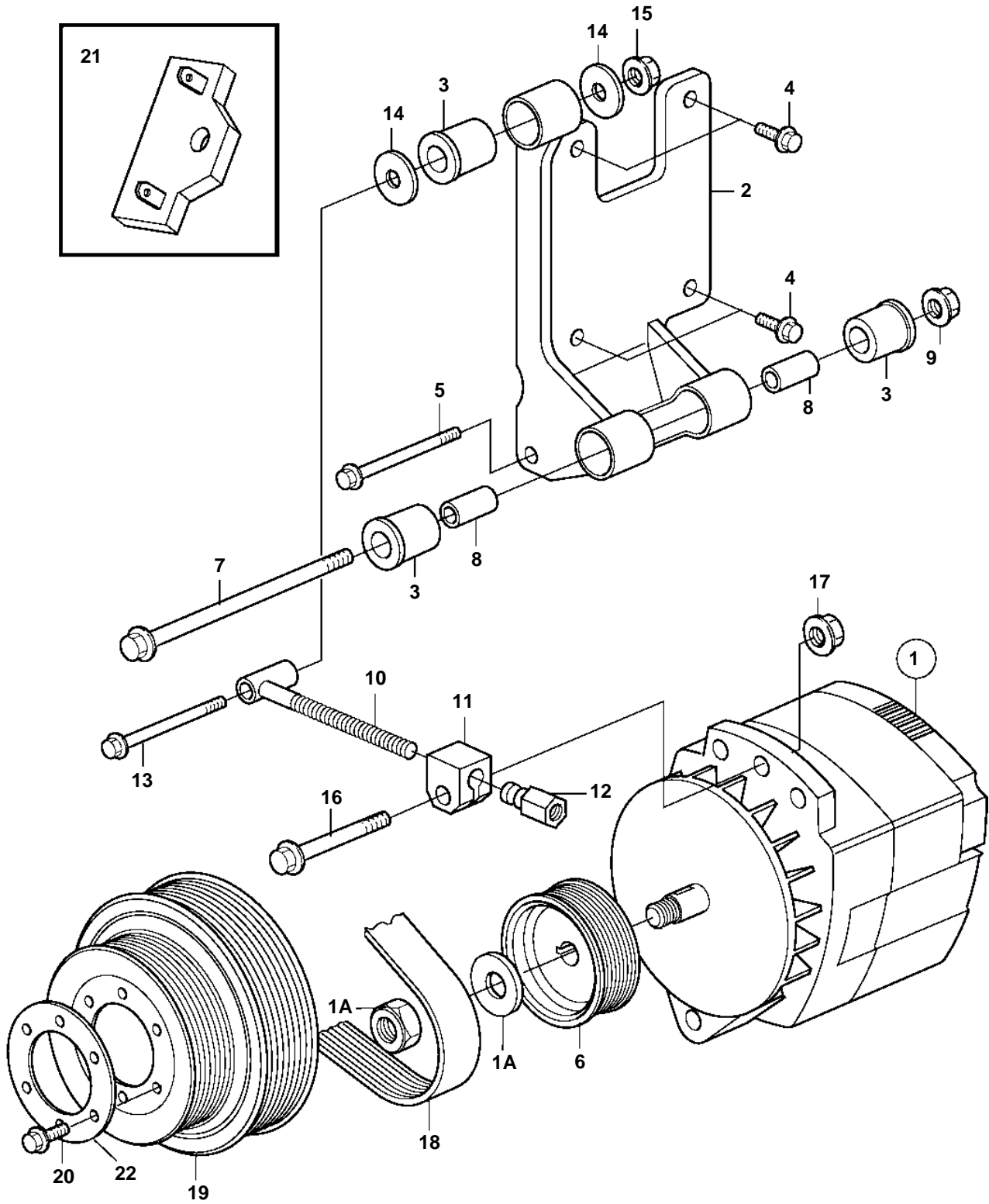


D12C-A MP, D12D-A MP, D12D-B MP, D12D-A MH, D12D-B MH



D12C-A MP, D12D-A MP, D12D-B MP, D12D-A MH, D12D-B MH

REF	PART NO.	QTY	DESCRIPTION	SEE SEC.	NOTES
1	849748	1	Alternator		E.U=3803499
	3803499	1	Alternator,exch		Exchange unit
				596	
1A		1	· Mounting kit		
2	3827103	1	Bracket		
3	865362	3	Rubber bushing		
4	945444	4	Flange screw		
5	965182	1	Flange screw		
6	3827102	1	Pulley		
7	970987	1	Screw		
8	846903	2	Sleeve		
9	971096	1	Nut		
10	3036795	1	Tensioning screw		
11	3036796	1	Block		
12	3036797	1	Collet		
13	965196	1	Screw		
14	960145	2	Washer		
15	971096	1	Nut		
16	965188	1	Screw		
17	971095	1	Nut		
18	978217	1	Drive belt		
19	1546482	1	Pulley		
20	945444	6	Flange screw		
21		1	Control resistance		
22	3979500	1	Washer		