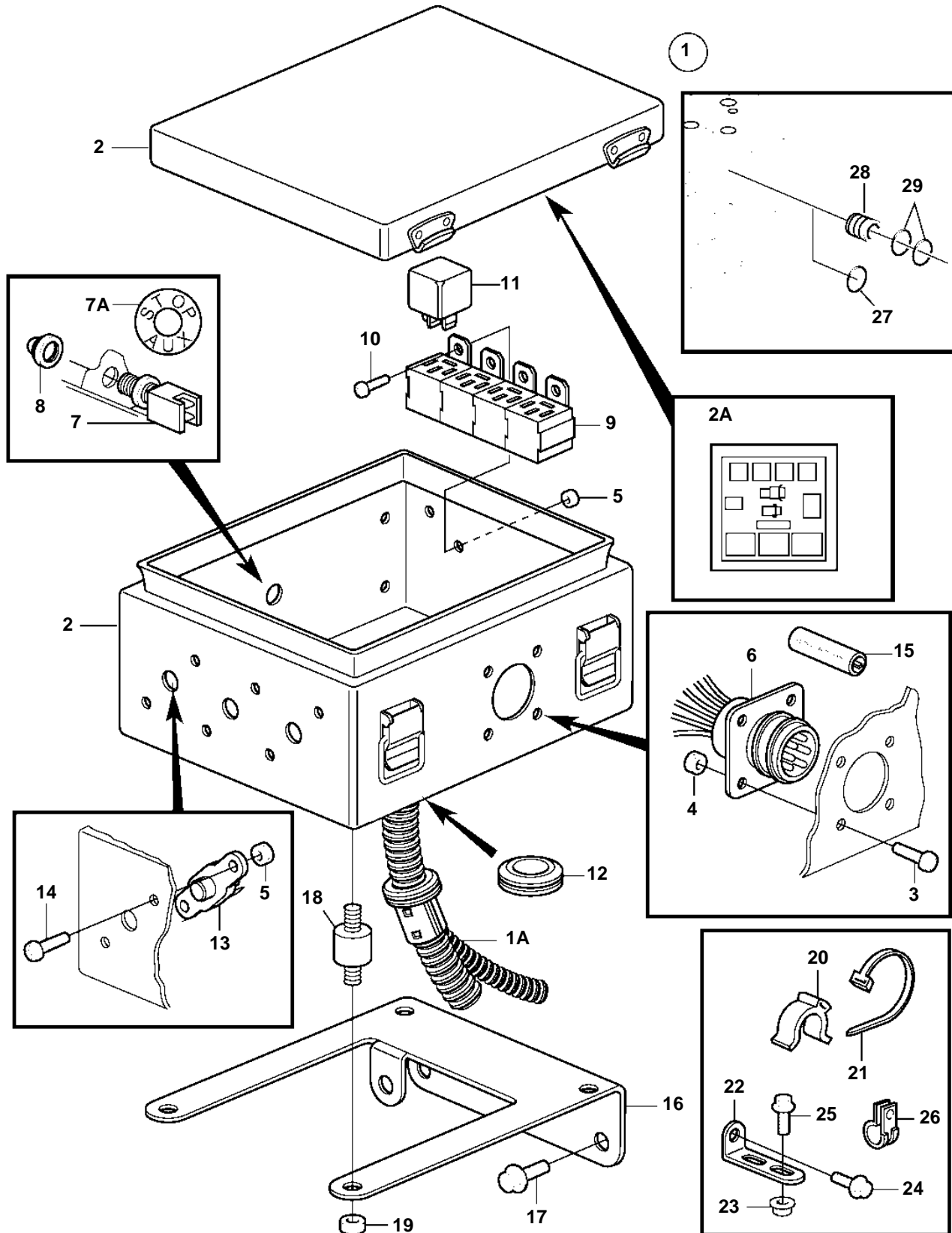


D12C-A MP, D12D-A MH



D12C-A MP, D12D-A MH

REF	PART NO.	QTY	DESCRIPTION	NOTES
1	3809084	1	Cable harness	
1A		1	· Cable trunkmain	
2	873953	1	· Box	
2A	3581933	1	· Decal	
3	956046	4	· Screw	
4	955778	4	· Nut	
5	963104	8	· Nut	
6	846611	1	· Sleeve connector, instrument panel	
7	873959	1	· Breaker	
7A	874078	1	· Decal	
8	828586	1	· Nut	
9	977184	1	· Tab housing	
10	956076	2	· Screw	
11	20374662	4	· Relay	
12	943920	1	· Protecting plug	
13	873952	3	· Fuse	
14	969408	6	· Screw	(956079)
15	20382270	1	· Diode	
16	3827951	1	Bracket	
17	946441	2	Screw	
18	1228599	4	Rubber cushion	
19	945407	4	Flange nut	
20	28429850	5	Retainer	For cable to unit injectors.
21	983472	5	Strip clamp	For cable to unit injectors.
	948211	7	Strip clamp	
22	965562	3	Bracket	L=110mm
	965559	3	Bracket	L=80mm
23	945408	3	Flange nut	
24	946441	3	Screw	L=20mm
	946440	3	Flange screw	L=16mm
25	946173	3	Flange screw	
26	942400	2	Clamp	D=7,9mm
	949746	2	Clamp	D=12,7mm
	949747	1	Clamp	D=15,9mm
	947827	5	Clamp	D=25,4mm
27	949656	1	O-ring	For cable to unit injectors.
28	20463179	1	Adapter	FOR D12D-A MH. In cable grommet for unit injectors on cylinder head.
29	949721	2	O-ring	FOR D12D-A MH. For cable to unit injectors, for adapter 20463179.