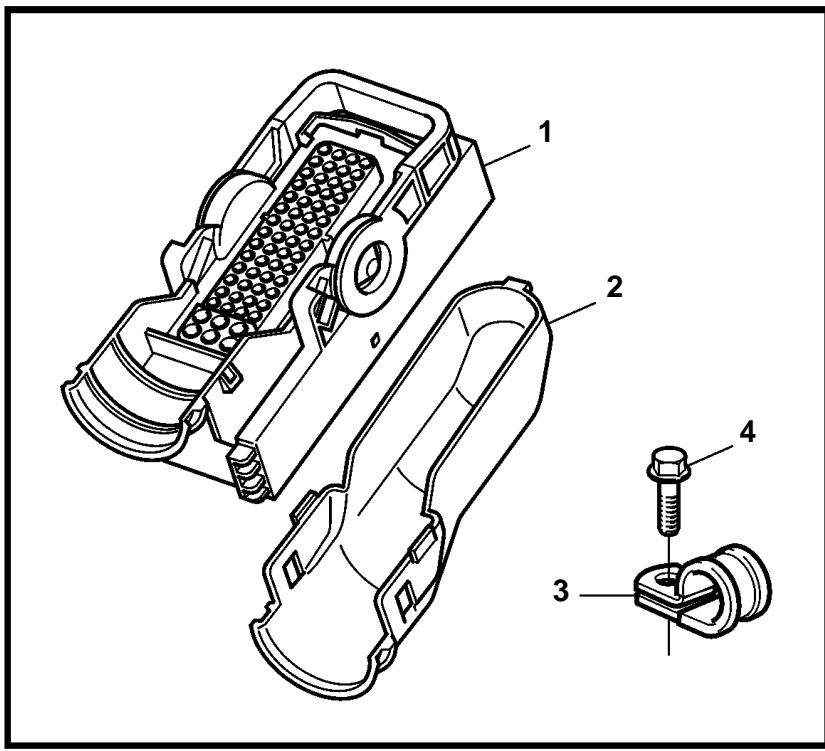
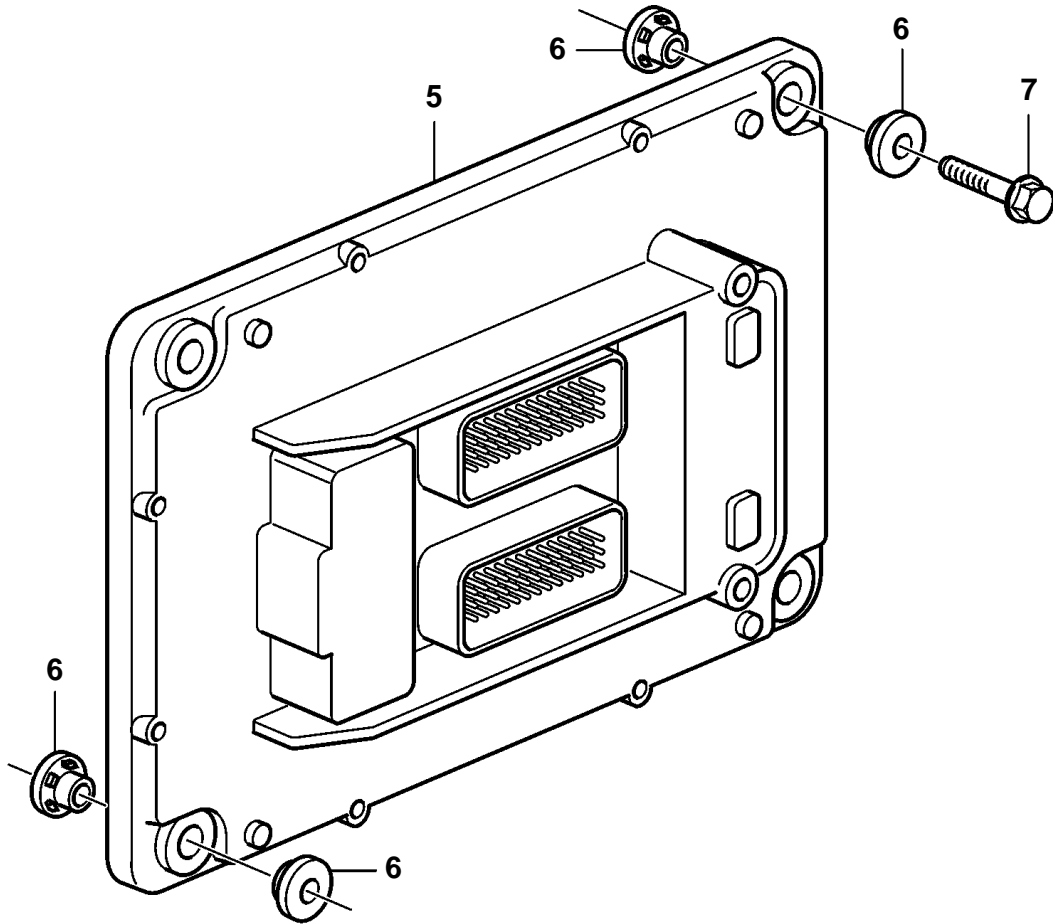


D12D-B MP



21585

## D12D-B MP

REF	PART NO.	QTY	DESCRIPTION	SEE SEC.	NOTES
1	20429842	1	Housing		BLACK
	20429843	1	Housing		GREY
2	20429844	1	Cover		
3	949997	2	Clamp		
4	946440	2	Flange screw		
5	24425461	1	Control unit, not programmed		
			Bulletin P-28-4-1	P-28-4-1-EN	Control Units for D9 Marine Engines
5	3586269	1	Update	SO	Warehouse programming. This p/n can not be ordered, but will be used for invoicing.
	3586268	1	Update	SO	Vodia-programming. This p/n can not be ordered, but will be used for invoicing.
6	3095161	4	· Rubber cushion		
7	947760	4	Flange screw		