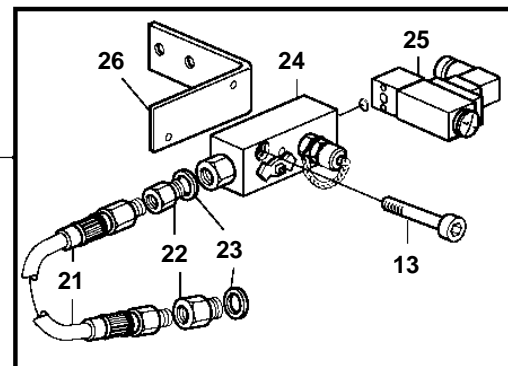
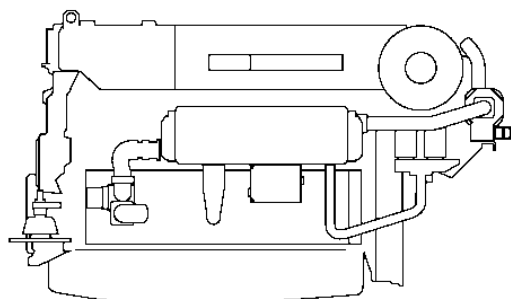
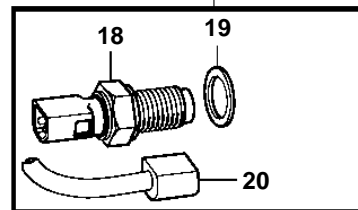
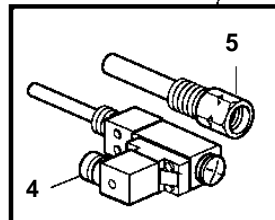
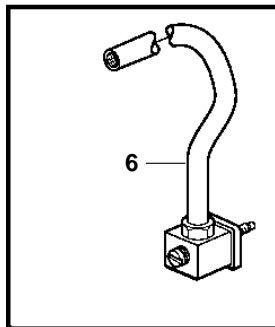
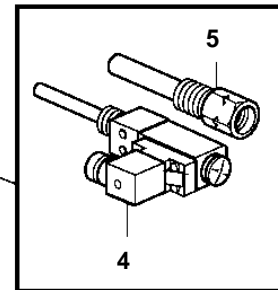
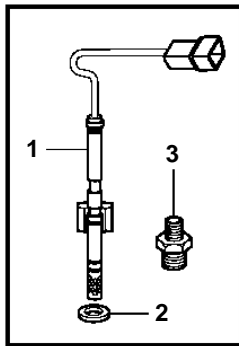
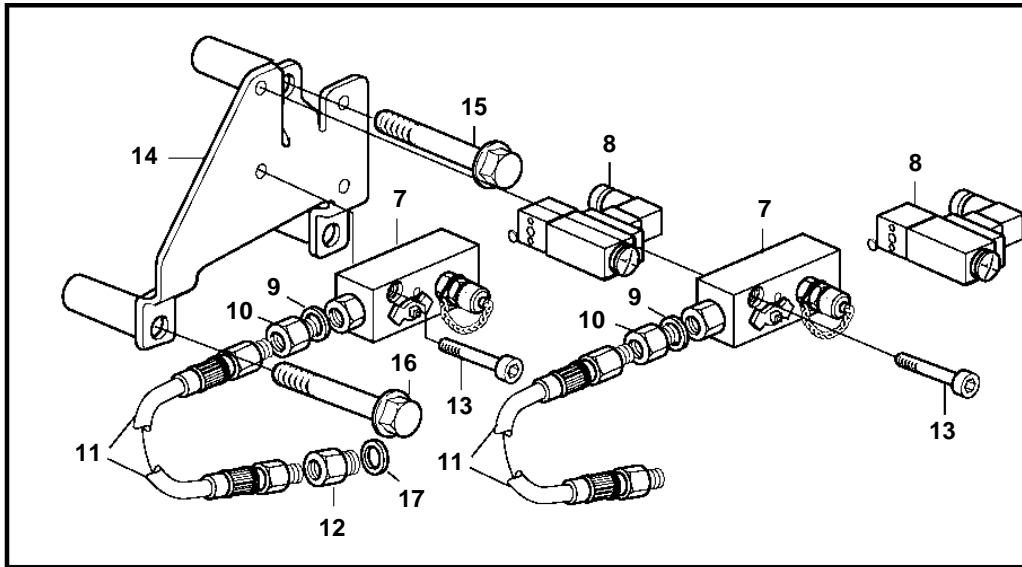


D12D-A MP, D12D-B MH



D12D-A MP, D12D-B MH

REF	PART NO.	QTY	DESCRIPTION	NOTES
1	874330	1	Temperature sensor, exhaust	
2	947626	1	Gasket	
3	874318	1	Fitting	
4	881869	2	Thermo monitor, coolant water/oil temp.	
5	873715	2	Sleeve	
6	3588563	1	Wiring harness	(881879). Extension cable for sensors, shut down.
7	3831442	2	Block	
8	881871	2	Pressure monitor, coolant water/oil pressure	0-4bar
9	18817	2	Gasket	
10	957030	2	Fitting	
11	3835281	2	Hose	
12	947899	1	Nipple	
13	947671	2	Allen head screw	
14	3832416	1	Bracket	
15	965217	1	Flange screw	L=65mm
16	965182	2	Flange screw	L=80mm
17	947084	1	Gasket	
18	862251	1	Tachometer sensor	
19	948884	1	Washer	
20	3819589	1	Cable harness	
21	3835380	1	Oil hose	
22	957030	2	Fitting	
23	18817	2	Gasket	
24	3831442	1	Block	
25	889629	1	Pressure monitor, oil pressure-reverse gear	5-30bar
26	3832972	1	Bracket	