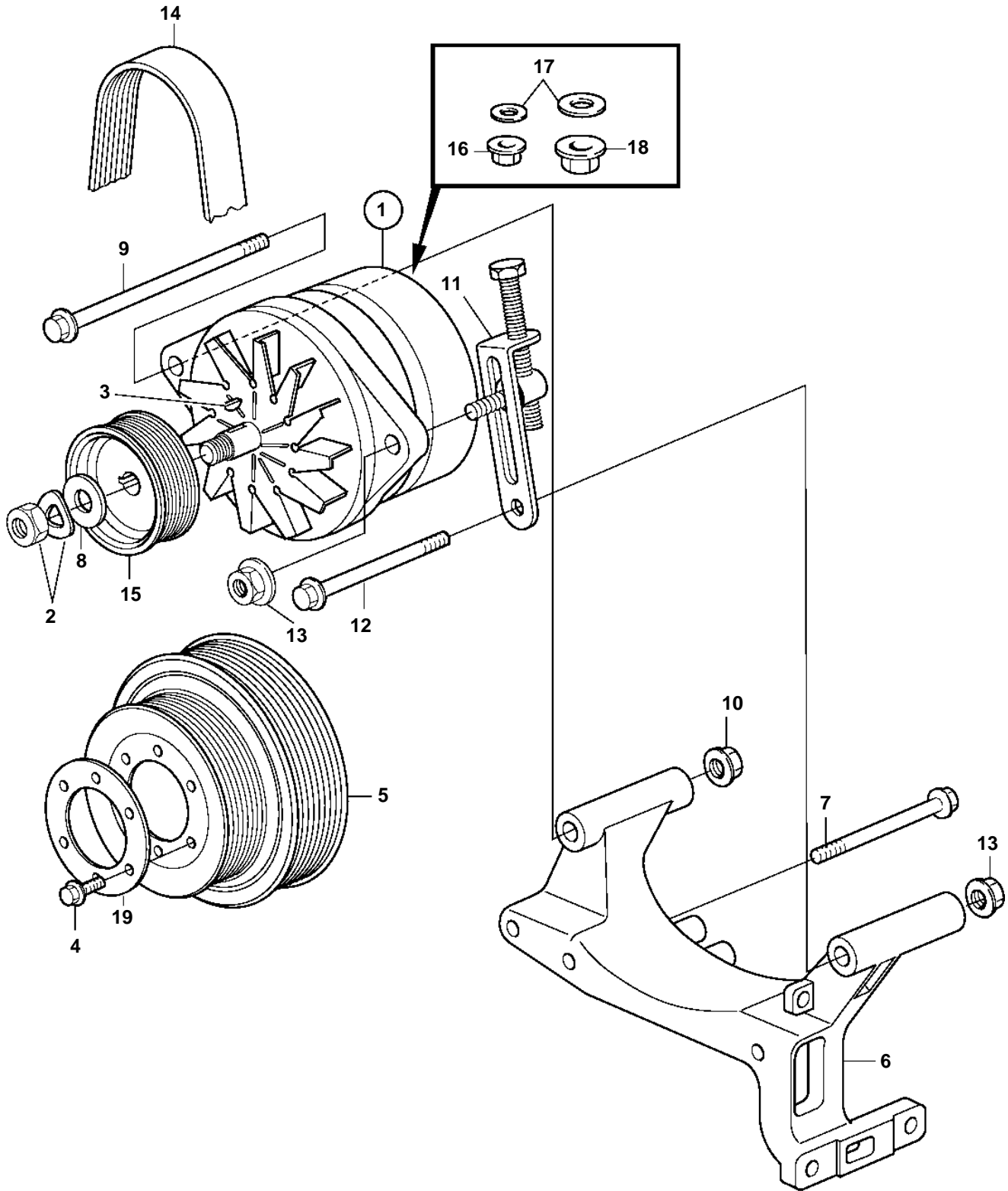


D12C-A MP, D12D-A MP, D12D-A MH, D12D-B MH



D12C-A MP, D12D-A MP, D12D-A MH, D12D-B MH

REF	PART NO.	QTY	DESCRIPTION	SEE SEC.	NOTES
1	873986	1	Alternator		28V 60A. E.U=3803496
	3803496	1	Alternator,exch		Exchange unit
				4394	
2		1	· Mounting kit		
3		1	· Key		
4	945444	6	Flange screw		
5	1546482	1	Pulley		
6	8149261	1	Bracket		
7	947790	3	Flange screw		
8	1675544	1	Spacer washer		
9	970987	1	Screw		
10	971096	1	Nut		
11	1676586	1	Tensioner		
12	965189	1	Flange screw		
13	971095	2	Nut		
14	978217	1	Drive belt		
15	1636242	1	Pulley		
16	945407	1	Flange nut		M6,B-
17	941906	1	Spring washer		B-
	941907	1	Spring washer		B+
18	945408	1	Flange nut		M8,B-
19	3979500	1	Washer		