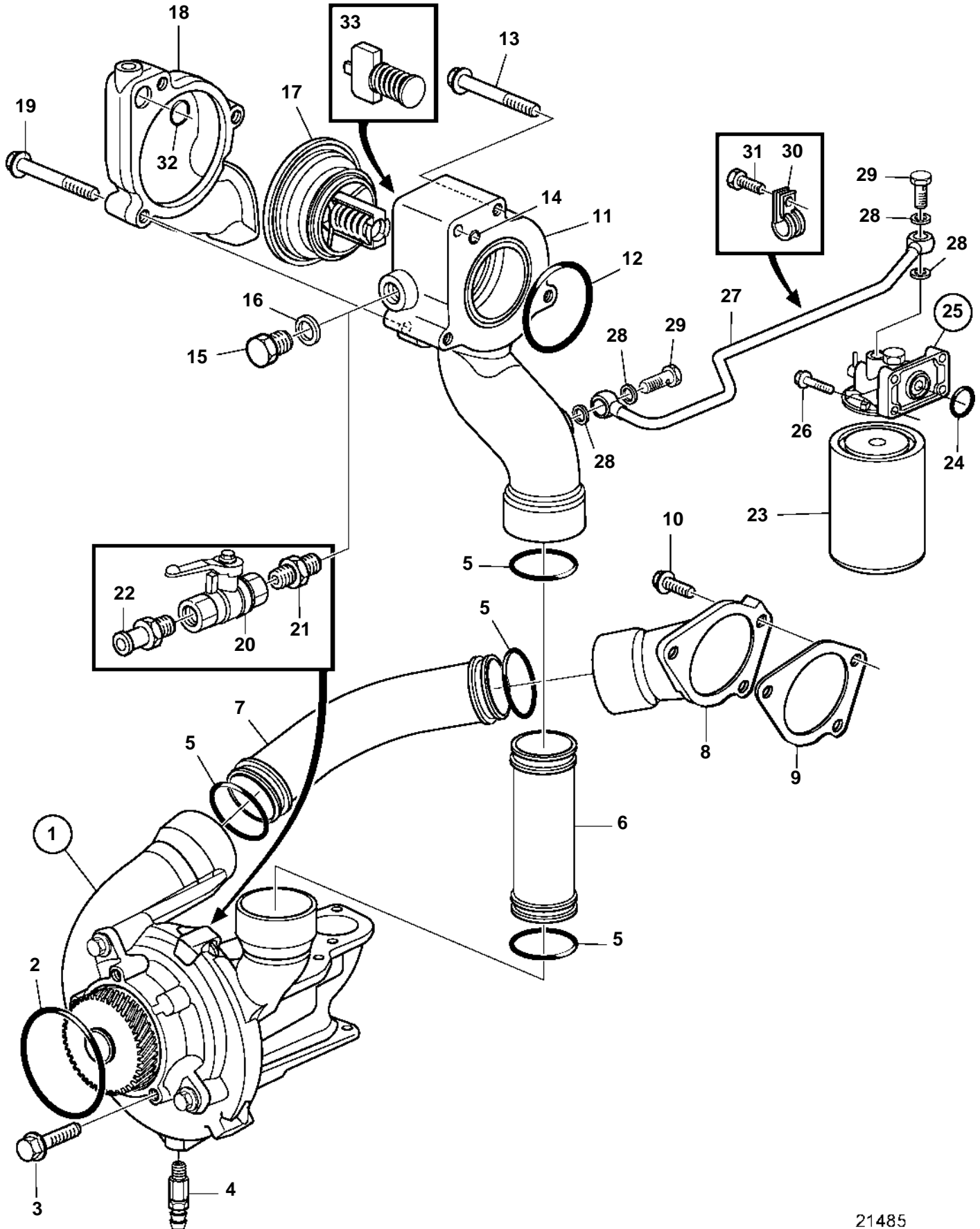


D12C-A MP, D12D-A MP, D12D-B MP, D12D-A MH, D12D-B MH



21485

D12C-A MP, D12D-A MP, D12D-B MP, D12D-A MH, D12D-B MH

REF	PART NO.	QTY	DESCRIPTION	SEE SEC.	NOTES
1		1	Water pump		
				4337	
2	948980	1	O-ring		
3	947790	4	Flange screw		
4	949918	1	Drain cock		
5	1547254	4	Sealing ring		
6	3826694	1	Coolant pipe		
7	3826609	1	Coolant pipe		
8	3826968	1	Pipe connection		
9	8170515	1	Gasket		
10	945444	3	Flange screw		
11	3809577	1	Thermostat housing		
12	976044	1	O-ring		
13	965182	3	Flange screw		
14	968725	2	O-ring		
15	914392	1	Plug		
16	943908	1	Gasket		
17	20560249	1	Thermostat		82°C
18	3809621	1	Cover		
19	973924	3	Flange screw		
20	1140097	2	Ball valve		
21	16452	2	Nipple		
22	961657	2	Nipple		
23	20532237	1	Coolant filter		(1699830)
24	469846	1	Sealing ring		
25	1661685	1	Bracket		
				417	
26	946671	4	Flange screw		
27	3827547	1	Coolant pipe		
28	976929	4	Gasket		
29	25167	2	Hollow screw		
30	942542	1	Clamp		
31	946440	1	Flange screw		
32	975662	1	O-ring		
33	3809467	1	Valve		