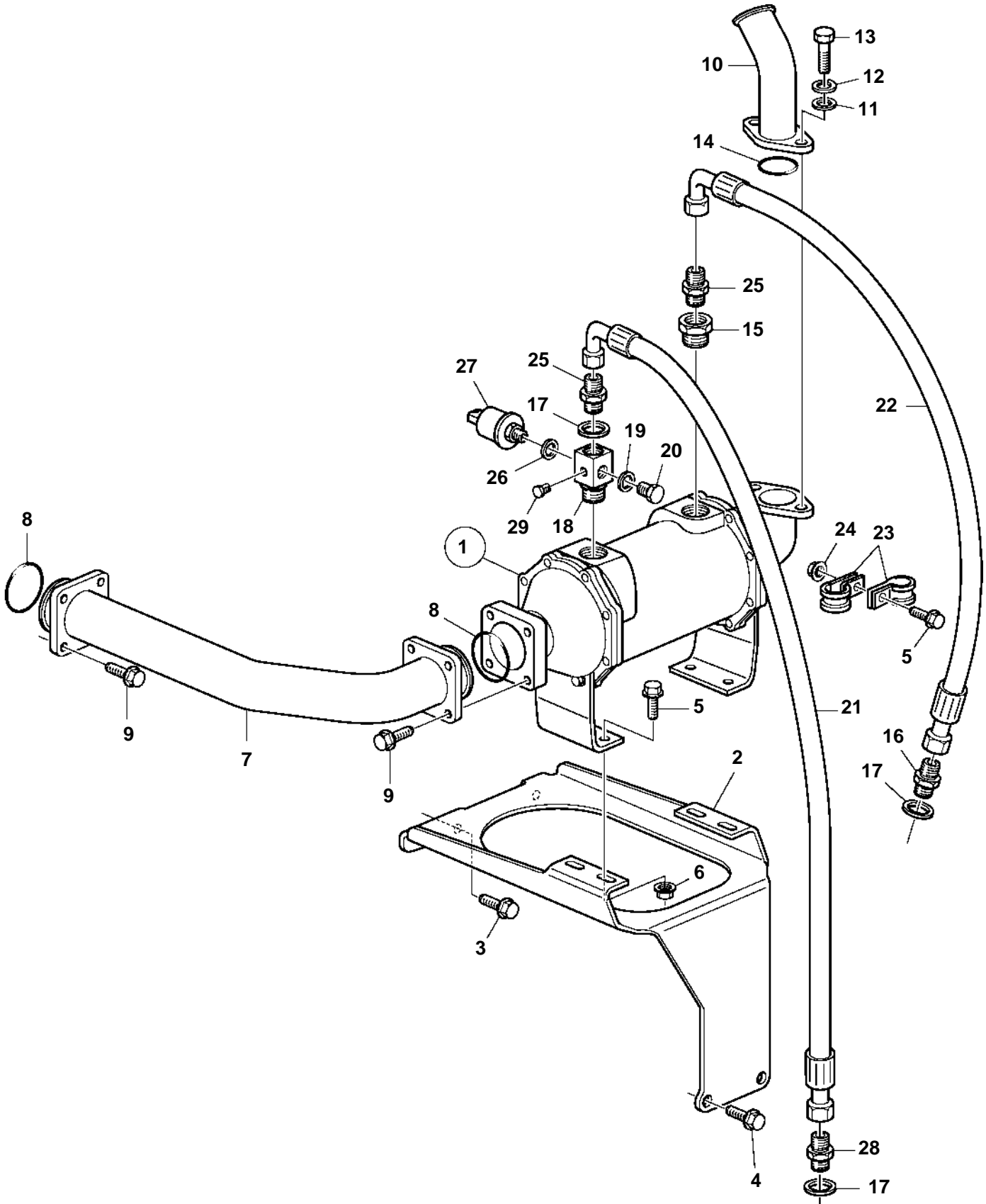


D12D-B MP



D12D-B MP

REF	PART NO.	QTY	DESCRIPTION	SEE SEC.	NOTES
1			Oil cooler		
				4377	
2	3819604	1	Bracket		
3	946752	2	Flange screw		
4		2	Screw		M10
5	946173	9	Flange screw		
6	945408	4	Flange nut		
7	3819007	1	Tube		
8	843584	2	Sealing ring		
9	946173	8	Flange screw		
	947760	8	Flange screw		For engines in with keel cooling.
10	3828777	1	Outlet pipe		
11	191172	2	Washer		
12	941907	2	Spring washer		
13	940135	2	Screw		
14	925092	1	O-ring		
15	949707	2	Nipple		
16	941751	1	Nipple		
17	976932	2	Gasket		
18	3828349	1	Nipple		
19	976931	1	Gasket		
20	960632	1	Plug		
21	3828843	1	Hose		
22	3826966	1	Hose		
23	945081	2	Clamp		
24	945408	1	Flange nut		
25	981303	2	Nipple		
26	948885	1	Gasket		
27		1	Pressure sensor		SEE GROUP 30
28	963953	1	Nipple		
29					