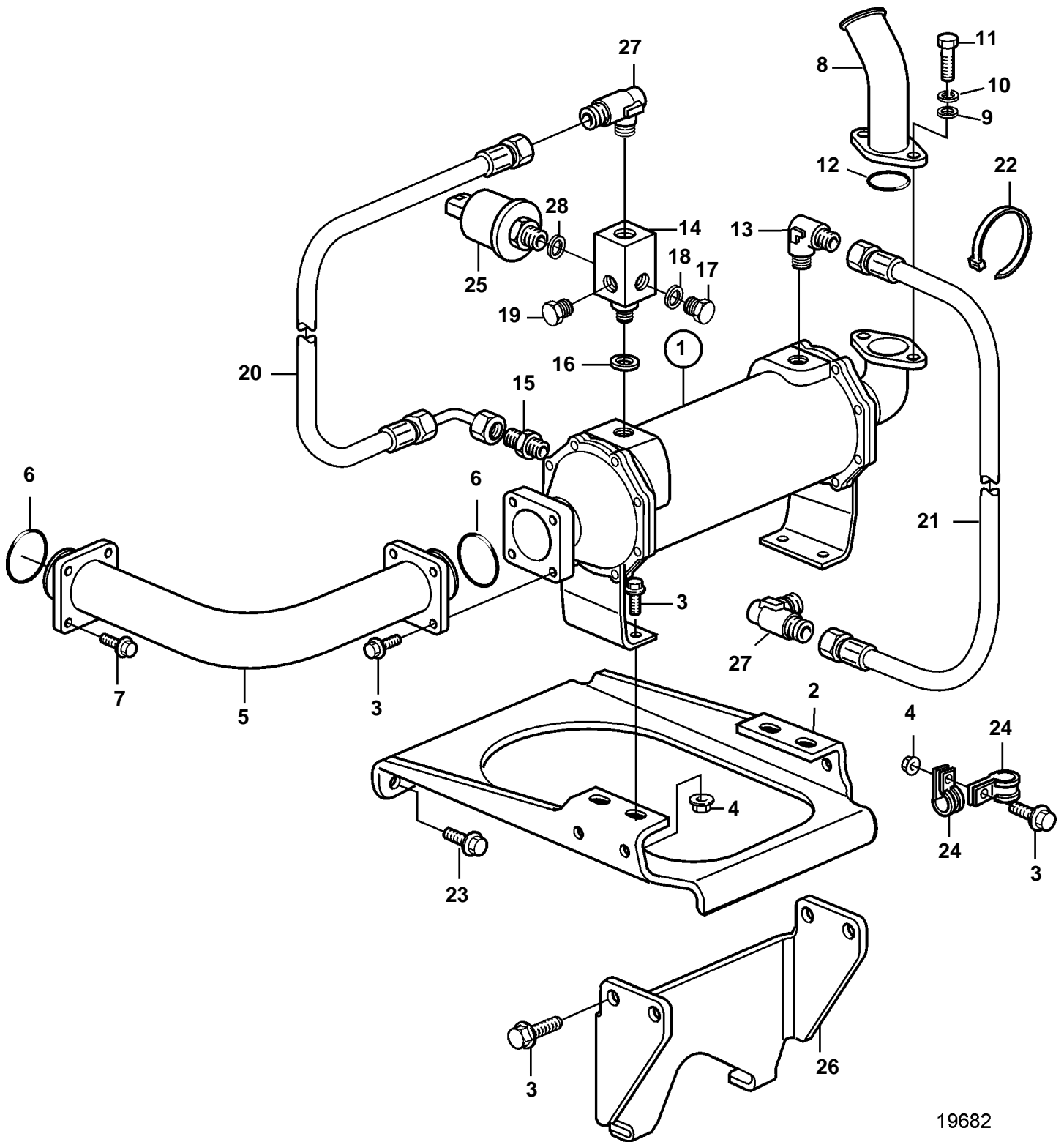


D12C-A MP, D12D-A MP, D12D-A MH, D12D-B MH



19682

D12C-A MP, D12D-A MP, D12D-A MH, D12D-B MH

| REF | PART NO. | QTY | DESCRIPTION     | SEE SEC. | NOTES                             |
|-----|----------|-----|-----------------|----------|-----------------------------------|
| 1   |          | 1   | Oil cooler      |          |                                   |
|     |          |     |                 | 4377     |                                   |
| 2   | 3830510  | 1   | Bracket         |          |                                   |
| 3   | 946173   | 13  | Flange screw    |          |                                   |
| 4   | 945408   | 5   | Flange nut      |          |                                   |
| 5   | 3830105  | 1   | Tube            |          |                                   |
| 6   | 843584   | 2   | Sealing ring    |          |                                   |
| 7   | 946173   | 4   | Flange screw    |          |                                   |
|     | 947760   | 4   | Flange screw    |          | For engines in with keel cooling. |
| 8   | 3828777  | 1   | Outlet pipe     |          |                                   |
| 9   | 191172   | 2   | Washer          |          |                                   |
| 10  | 941907   | 2   | Spring washer   |          |                                   |
| 11  | 940135   | 2   | Screw           |          |                                   |
| 12  | 925092   | 1   | O-ring          |          |                                   |
| 13  | 824479   | 1   | Elbow union     |          |                                   |
| 14  | 3834079  | 1   | Nipple          |          |                                   |
| 15  | 981303   | 1   | Nipple          |          |                                   |
| 16  | 948885   | 1   | Gasket          |          |                                   |
| 17  | 960632   | 1   | Plug            |          |                                   |
| 18  | 976931   | 1   | Gasket          |          |                                   |
| 19  | 861551   | 2   | Plug            |          |                                   |
| 20  | 3835802  | 1   | Oil hose        |          |                                   |
| 21  | 848351   | 1   | Hose            |          |                                   |
| 22  | 948211   | 1   | Strip clamp     |          |                                   |
| 23  | 965185   | 2   | Flange screw    |          |                                   |
| 24  | 952637   | 2   | Clamp           |          |                                   |
| 25  |          | 1   | Pressure sensor |          | SEE GROUP 30                      |
| 26  | 3831422  | 1   | Bracket         |          |                                   |
| 27  | 837063   | 2   | Elbow union     |          |                                   |
| 28  | 976931   | 1   | Gasket          |          |                                   |