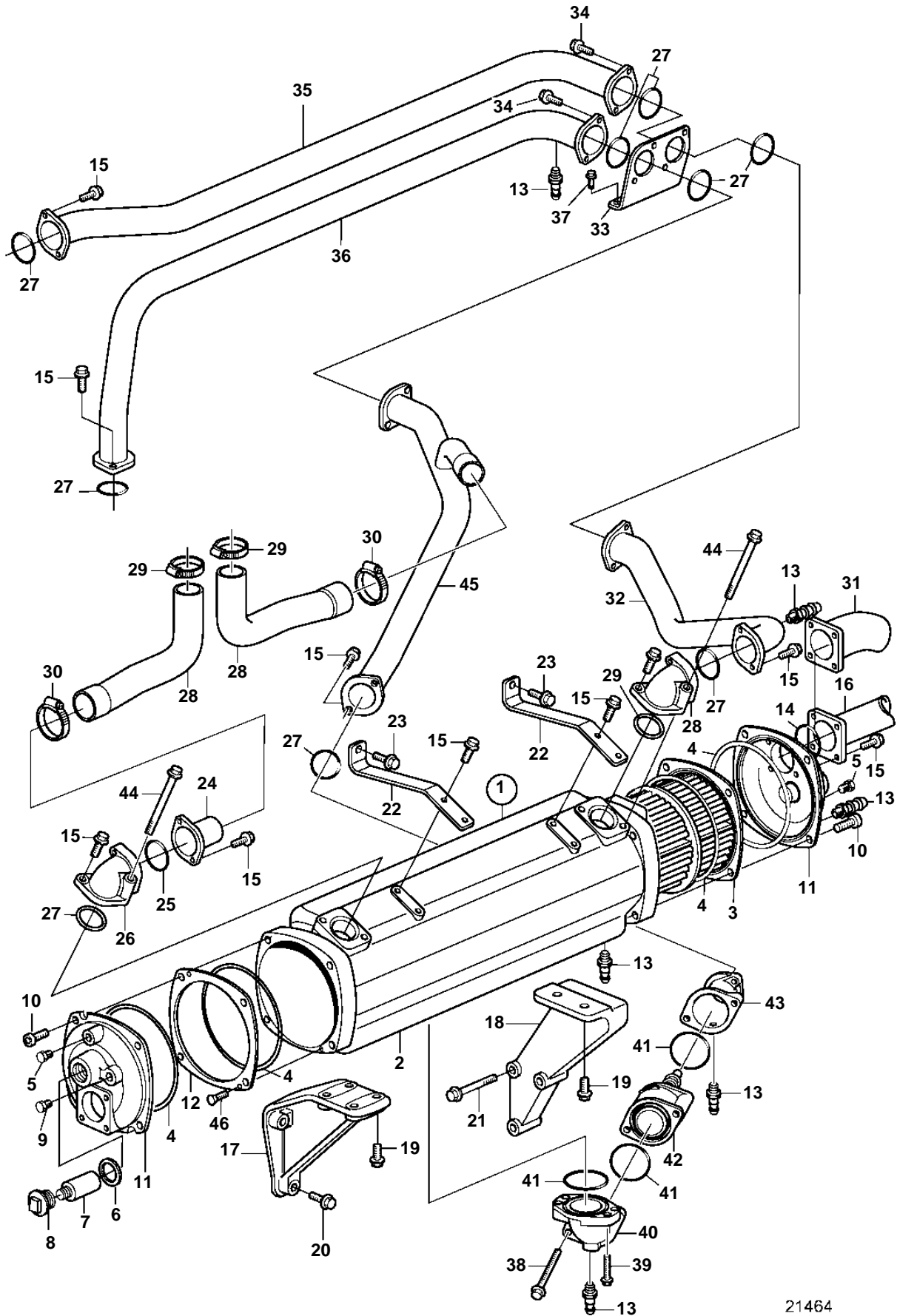


D12D-B MP



21464

D12D-B MP

| REF | PART NO. | QTY | DESCRIPTION | NOTES |
|-----|----------|-----|--------------------------------|--|
| 1 | | 1 | Heat exchanger | |
| 2 | 3830698 | 1 | • Heat exchanger housi | |
| 3 | 3830696 | 1 | • Heat exchanger eleme | |
| 4 | 3826783 | 4 | • O-ring | |
| 5 | 982364 | 2 | • Plug | |
| 6 | 836169 | 2 | • Gasket | |
| 7 | 823661 | 1 | • Zinc anod | |
| 8 | 823662 | 2 | • Plug | |
| 9 | 982363 | 1 | • Plug | |
| 10 | 959224 | 8 | • Screw | L=35mm |
| 11 | 3830697 | 2 | • End plate | |
| 12 | 3830694 | 1 | • Spacer | |
| 13 | 949918 | 6 | Drain cock | |
| 14 | 843584 | 1 | Sealing ring | |
| 15 | 946173 | 20 | Flange screw | |
| 16 | | 1 | Water pipeoil cooler-rev.gear | See oil cooler for reversing gear, group 26. |
| 17 | 865377 | 1 | Bracket | |
| 18 | 865376 | 1 | Bracket | |
| 19 | 946752 | 6 | Flange screw | |
| 20 | 965220 | 3 | Flange screw | |
| 21 | 965188 | 3 | Screw | |
| 22 | 3827441 | 2 | Bracket | |
| 23 | 965217 | 2 | Flange screw | |
| 24 | 3826300 | 1 | Tube | |
| 25 | 864491 | 1 | Gasket | |
| 26 | 865821 | 1 | Pipe connection | |
| 27 | 925069 | 1 | O-ring | |
| 28 | 3819003 | 2 | Water hose | |
| 29 | 961669 | 2 | Hose clamp | |
| 30 | 961670 | 2 | Hose clamp | |
| 31 | 3830257 | 1 | Riser | |
| 32 | 3832856 | 1 | Coolant pipe | |
| 33 | 3832830 | 1 | Bracket | |
| 34 | 945444 | 4 | Flange screw | |
| 35 | 3832833 | 1 | Coolant pipe, therm. housing | |
| 36 | 3837473 | 1 | Coolant pipe, circulation pump | |
| 37 | 946471 | 2 | Screw | |
| 38 | 965183 | 2 | Flange screw | |
| 39 | 965180 | 2 | Flange screw | |
| 40 | 3818808 | 1 | Pipe connection | |
| 41 | 975675 | 3 | O-ring | |
| 42 | 3589220 | 1 | Overflow valve | |
| 43 | 3809589 | 1 | Adapter | |
| 44 | 965180 | 2 | Flange screw | |
| 45 | | 1 | Coolant pipe | |
| 46 | 942001 | 4 | Screw | |