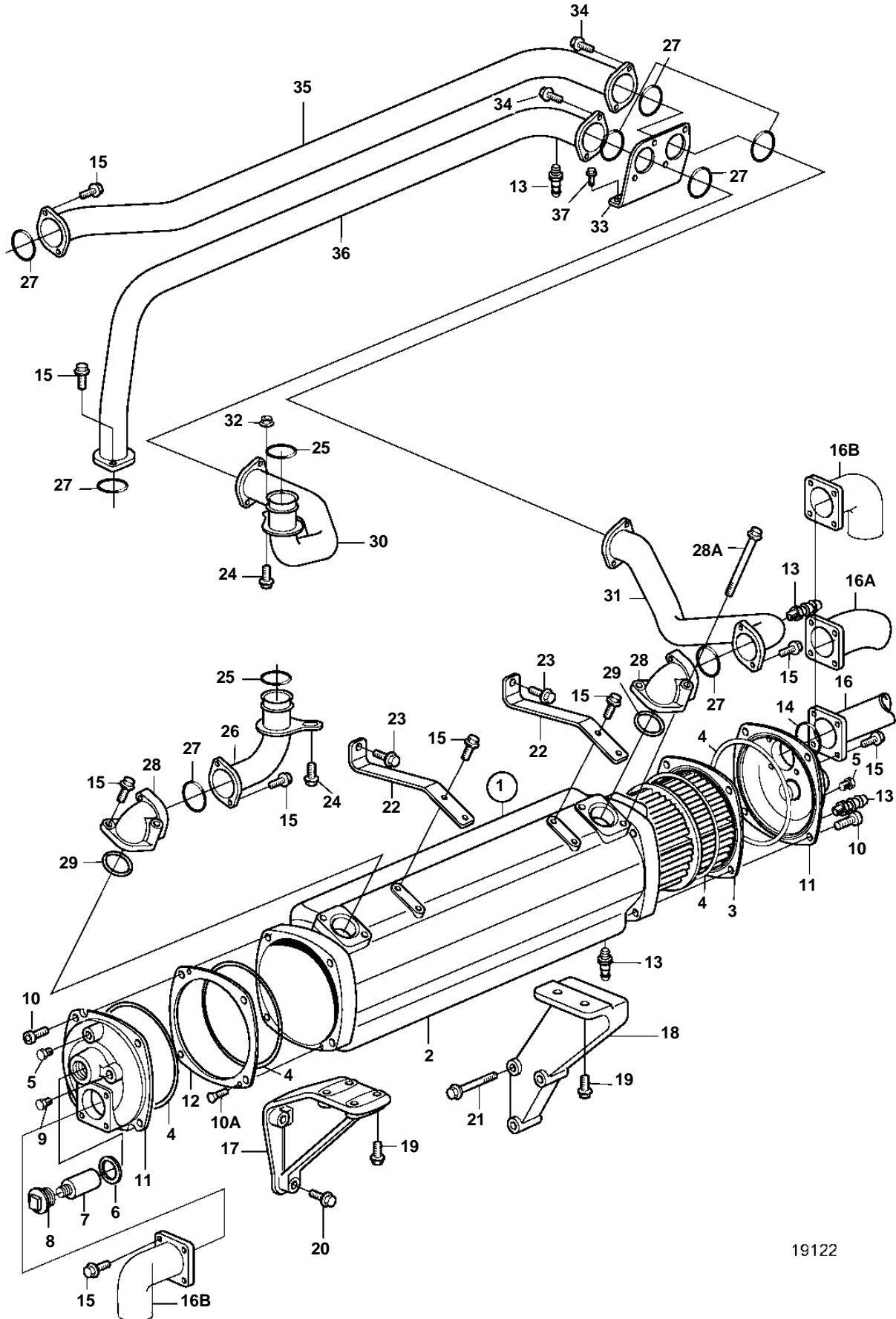


D12C-A MP, D12D-A MP, D12D-A MH, D12D-B MH



19122

D12C-A MP, D12D-A MP, D12D-A MH, D12D-B MH

REF	PART NO.	QTY	DESCRIPTION	NOTES
1		1	Heat exchanger	
2	3830698	1	• Heat exchanger housi	
3	3830696	1	• Heat exchanger eleme	
4	3826783	4	• O-ring	
5	982364	2	• Plug	
6	836169	2	• Gasket	
7	823661	1	• Zinc anod	
8	823662	2	• Plug	
9	982363	1	• Plug	
10	959224	8	• Screw	L=35mm
10A	942001	4	• Screw	L=16mm
11	3830697	2	• End plate	
12	3830694	1	• Spacer	
13	949918	4	Drain cock	
14	843584	1	Sealing ring	
15	946173	18	Flange screw	
16		1	Water pipeoil cooler-rev.gear	See oil cooler for reversing gear, group 26.
16A	3830257	1	Riser, hose connecting	ALT 30°
16B	3830255	X	Riser, hose connecting	ALT 90°
17	865377	1	Bracket	
18	865376	1	Bracket	
19	946752	6	Flange screw	
20	965220	3	Flange screw	
21	965188	3	Screw	
22	3827441	2	Bracket	
23	965217	2	Flange screw	
24	948217	2	Flange screw	
25	1547253	2	Sealing ring	
26	865930	1	Coolant pipe, intercooler	
27	864491	8	Gasket	
28	865821	2	Pipe connection	
28A	965180	2	Flange screw	
29	925069	2	O-ring	
30	3832829	1	Coolant pipe, intercooler	
31	3832856	1	Coolant pipe	
32	948645	1	Lock nut	
33	3832830	1	Bracket	
34	945444	4	Flange screw	
35	3832833	1	Coolant pipe, therm. housing	
36	3837473	1	Coolant pipe, circulation pump	
37	946471	2	Screw	