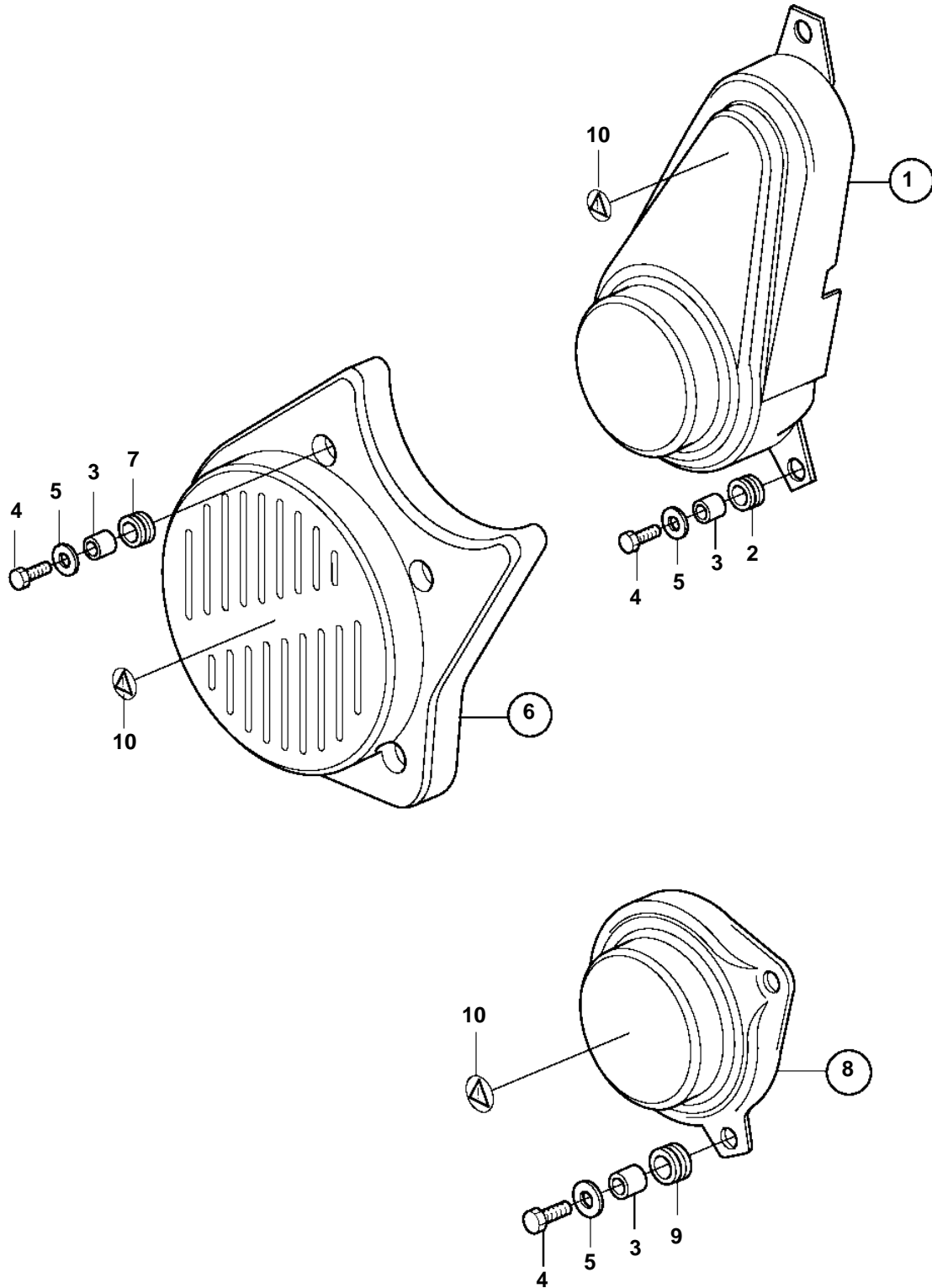


D12C-A MP, D12D-A MP, D12D-B MP, D12D-A MH, D12D-B MH



D12C-A MP, D12D-A MP, D12D-B MP, D12D-A MH, D12D-B MH

| REF | PART NO. | QTY | DESCRIPTION | NOTES |
|-----|----------|-----|-------------------|----------------|
| 1 | 3830159 | 1 | Belt protector | |
| 2 | 673989 | 3 | · Rubber bushing | |
| 3 | 3830336 | 10 | Spacer | |
| 4 | 946730 | 10 | Screw | |
| 5 | 941670 | 10 | Washer | |
| 6 | 3830161 | 1 | Protecting casing | |
| 7 | 673989 | 3 | · Rubber bushing | |
| 8 | 3837351 | 1 | Protecting cover | No alternator. |
| 9 | 673989 | 3 | · Rubber bushing | |
| 10 | 3817024 | 3 | Decal | |