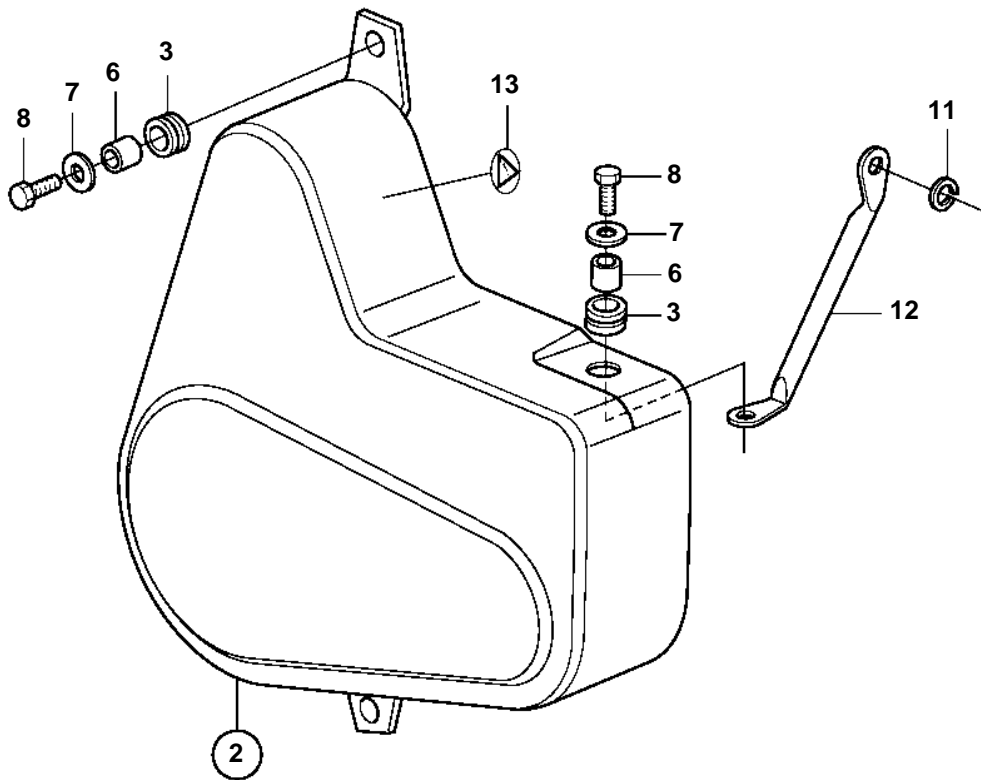
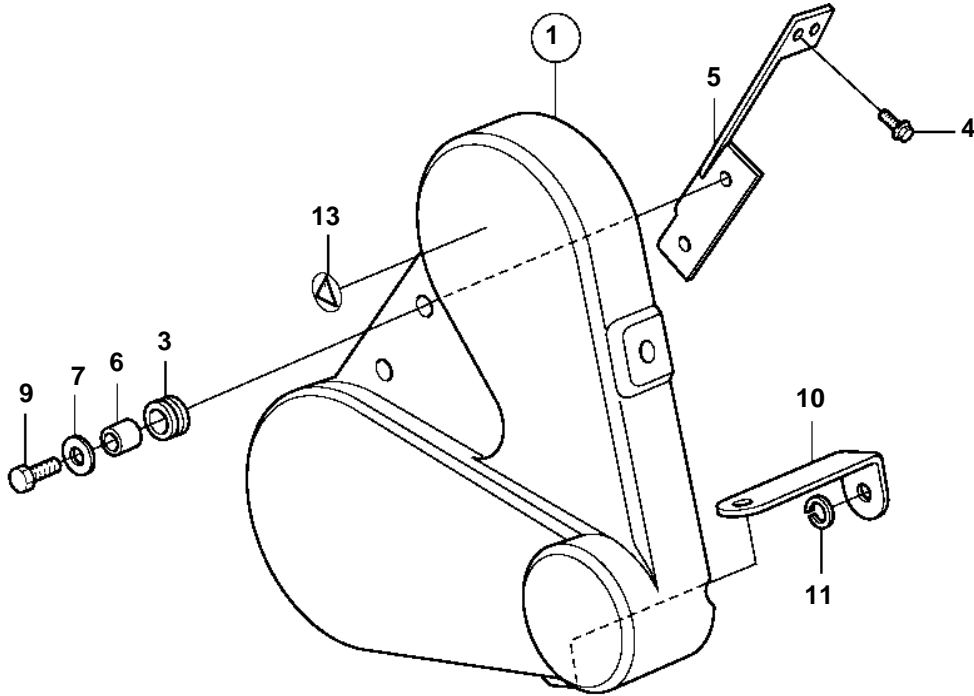


D12C-A MP, D12D-A MP, D12D-B MP, D12D-A MH, D12D-B MH



17871

D12C-A MP, D12D-A MP, D12D-B MP, D12D-A MH, D12D-B MH

REF	PART NO.	QTY	DESCRIPTION	NOTES
1	3830158	1	Belt protector	
2	3830160	1	Belt protector	
3	673989	8	• Rubber bushing	
4	946173	2	Flange screw	
5	3828742	1	Bracket	
6	3830336	8	Spacer	
7	941670	8	Washer	
8	946730	4	Screw	L=25mm
9	963567	4	Screw	L=20mm
10	3829648	1	Bracket	
11	941908	2	Spring washer	
12	3827443	1	Bracket	
13	3817024	2	Decal	