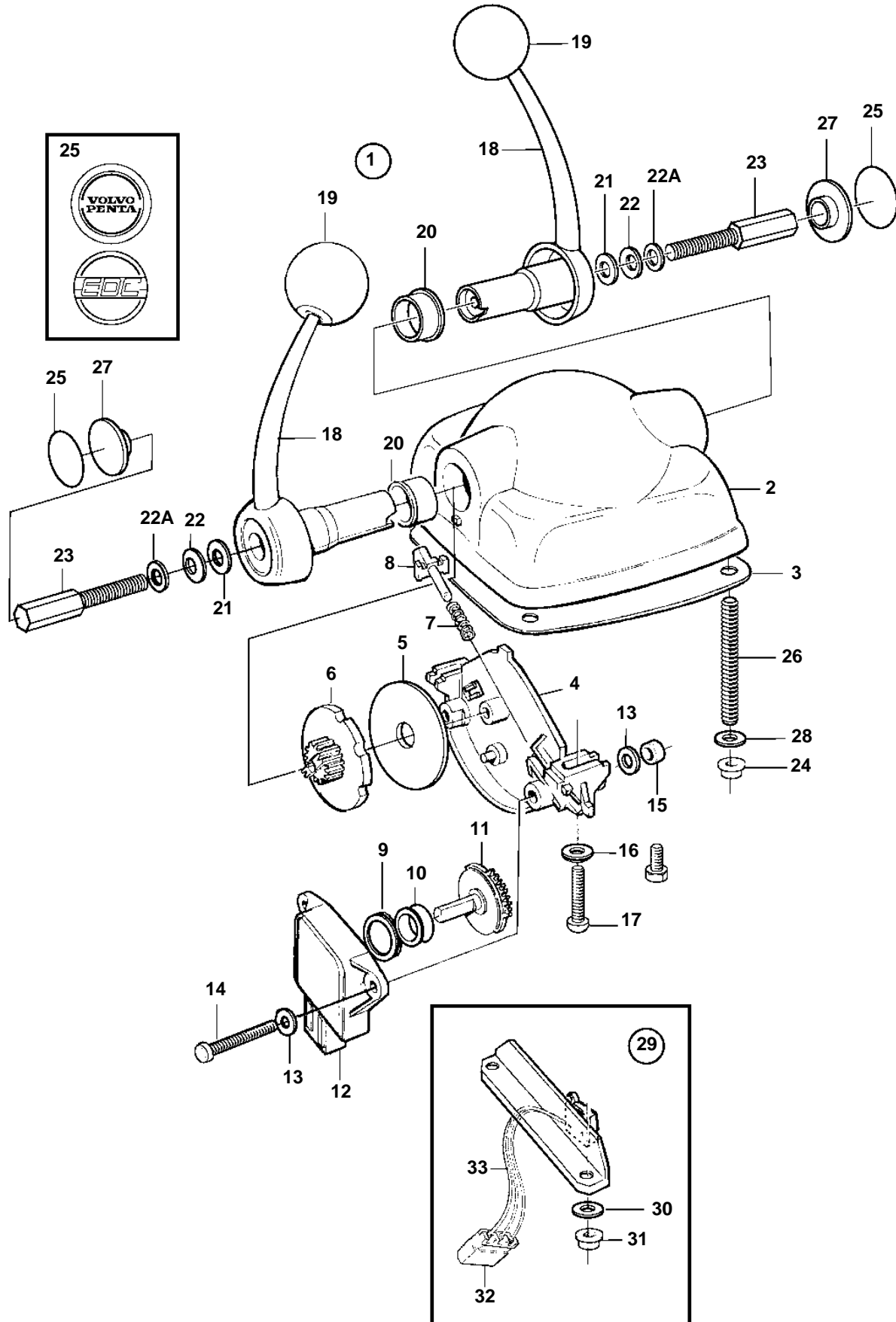


D12C-A MP, D12D-A MP, D12D-B MP, D12D-A MH, D12D-B MH



D12C-A MP, D12D-A MP, D12D-B MP, D12D-A MH, D12D-B MH

| REF | PART NO. | QTY | DESCRIPTION        | NOTES   |
|-----|----------|-----|--------------------|---|
| 1   | 3819900  | 1   | Control, black     | For twin installation.. Black.. With neutralswitch.     |
|     | 3819902  | 1   | Control, stainless | For twin installation.. Stainless.. With neutralswitch. |
| 2   |          | 1   | · Control housing  |   |
| 3   | 3581674  | 1   | · Gasket           |   |
| 4   |          | 1   | · Plate            |   |
| 5   | 3581666  | 2   | · Washer           |   |
| 6   |          | 2   | · Plate            |   |
| 7   |          | 2   | · Spring           |   |
| 8   |          | 2   | · Lug              |   |
| 9   |          | 2   | · Spacer ring      |   |
| 10  | 3581676  | 2   | · Ring             |   |
| 11  | 3581668  | 2   | · Gear             |   |
| 12  | 1336385  | 2   | · Potentiometer    |   |
| 13  |          | 4   | · Washer           |   |
| 14  | 3581678  | 2   | · Screw            |   |
| 15  | 3581680  | 2   | · Nut              |   |
| 16  |          | 2   | · Washer           |   |
| 17  | 3581681  | 2   | · Screw            |   |
| 18  |          | 2   | · Lever            |   |
| 19  | 3581675  | 2   | · Ball             |   |
| 20  | 3581673  | 2   | · Bearing          |   |
| 21  |          | 2   | · Washer           |   |
| 22  |          | 2   | · Disc spring      |   |
| 22A |          | 2   | · Washer           |   |
| 23  |          | 2   | · Adjusting screw  |   |
| 24  | 3581686  | 4   | · Nut              |   |
| 25  | 3584000  | 2   | · Decal            | VOLVO PENTA   |
|     | 3581669  | 2   | · Decal            | EDC   |
| 26  |          | 4   | · Stud             |   |
| 27  | 3582830  | 2   | · Plug             | For 874663. Plastic                                     |
|     |          | 2   | · Plug             | For 874813. Stainless.                                  |
| 28  |          | 4   | · Washer           |   |
| 29  | 3819903  | 2   | · Breaker          |   |
| 30  |          | 4   | · · Washer         |   |
| 31  |          | 4   | · · Nut            |   |
| 32  |          | X   | · · Housing        | SEE GROUP 30  |
| 33  |          | X   | · · Cable          | SEE GROUP 30  |