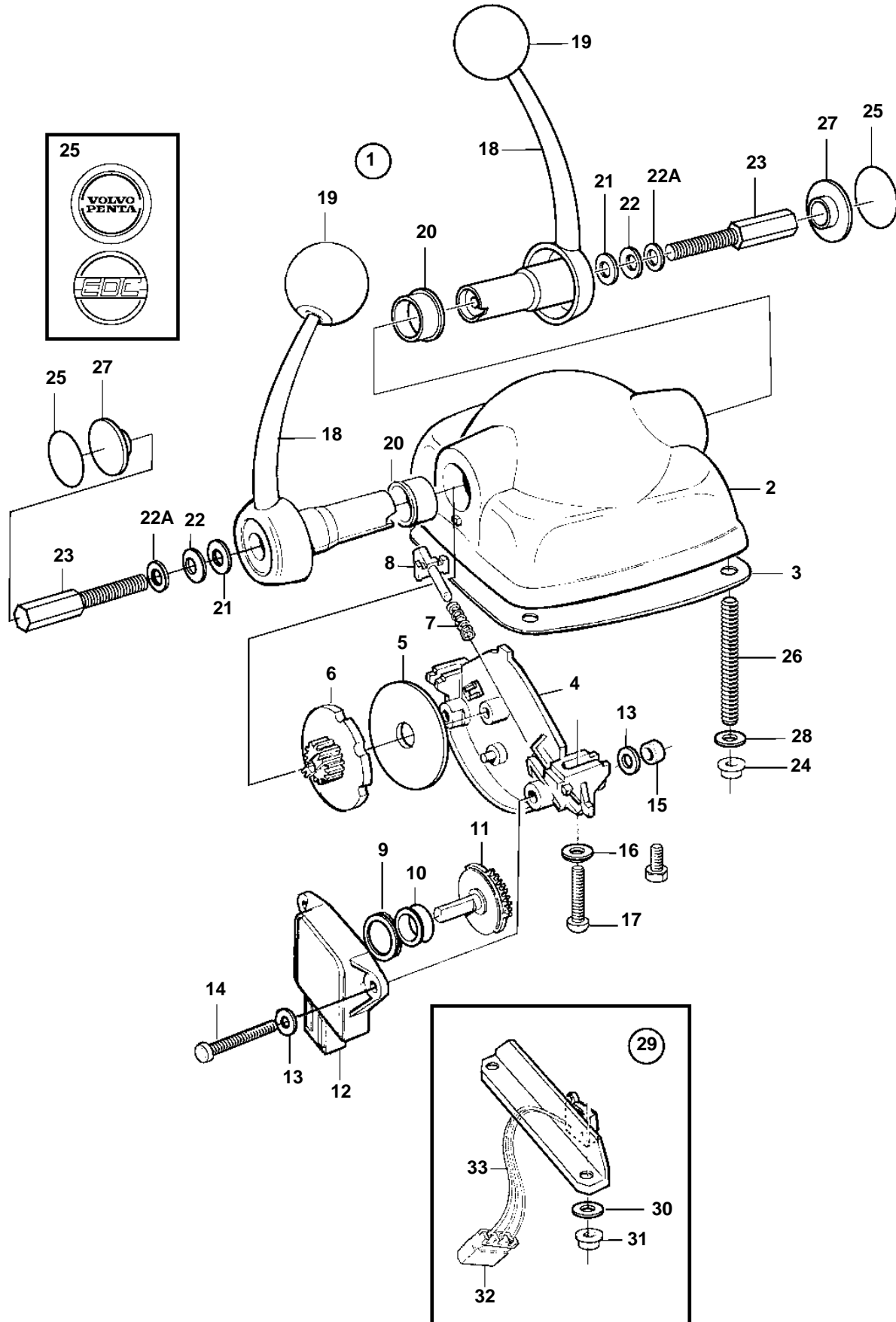


D12C-A MP, D12D-A MP, D12D-B MP, D12D-A MH, D12D-B MH



21947

D12C-A MP, D12D-A MP, D12D-B MP, D12D-A MH, D12D-B MH

| REF | PART NO. | QTY | DESCRIPTION       | SEE SEC. | NOTES                                     |
|-----|----------|-----|-------------------|----------|---|
| 1   | 874663   | 1   | Control           |          | (1140658). For twin installation.. Black. |
|     | 874813   | 1   | Control           |          | For twin installation.. Stainless.        |
|     |          |     | Bulletin 53-10    | 53-10-EN | Stainless Steel Controls                  |
| 2   |          | 1   | • Control housing |          |   |
| 3   | 3581674  | 1   | • Gasket          |          |   |
| 4   |          | 1   | • Plate           |          |   |
| 5   | 3581666  | 2   | • Washer          |          |   |
| 6   |          | 2   | • Plate           |          |   |
| 7   |          | 2   | • Spring          |          |   |
| 8   |          | 2   | • Lug             |          |   |
| 9   |          | 2   | • Spacer ring     |          |   |
| 10  | 3581676  | 2   | • Ring            |          |   |
| 11  | 3581668  | 2   | • Gear            |          |   |
| 12  | 1336385  | 2   | • Potentiometer   |          |   |
| 13  |          | 4   | • Washer          |          |   |
| 14  | 3581678  | 2   | • Screw           |          |   |
| 15  | 3581680  | 2   | • Nut             |          |   |
| 16  |          | 2   | • Washer          |          |   |
| 17  | 3581681  | 2   | • Screw           |          |   |
| 18  |          | 2   | • Lever           |          |   |
| 19  | 3581675  | 2   | • Ball            |          |   |
| 20  | 3581673  | 2   | • Bearing         |          |   |
| 21  |          | 2   | • Washer          |          |   |
| 22  |          | 2   | • Disc spring     |          |   |
| 22A |          | 2   | • Washer          |          |   |
| 23  |          | 2   | • Adjusting screw |          |   |
| 24  | 3581686  | 4   | • Nut             |          |   |
| 25  | 3584000  | 2   | • Decal           |          | VOLVO PENTA                               |
|     | 3581669  | 2   | • Decal           |          | EDC                                       |
| 26  |          | 4   | • Stud            |          |   |
| 27  | 3582830  | 2   | • Plug            |          | For 874663. Plastic                       |
|     |          | 2   | • Plug            |          | For 874813. Stainless.                    |
| 28  |          | 4   | • Washer          |          |   |
| 29  | 3818851  | 2   | Switch kit        |          | (873870)                                  |
| 30  |          | 4   | • Washer          |          |   |
| 31  |          | 4   | • Nut             |          |   |
| 32  |          | X   | • Housing         |          | SEE GROUP 30                              |
| 33  |          | X   | • Cable           |          | SEE GROUP 30                              |