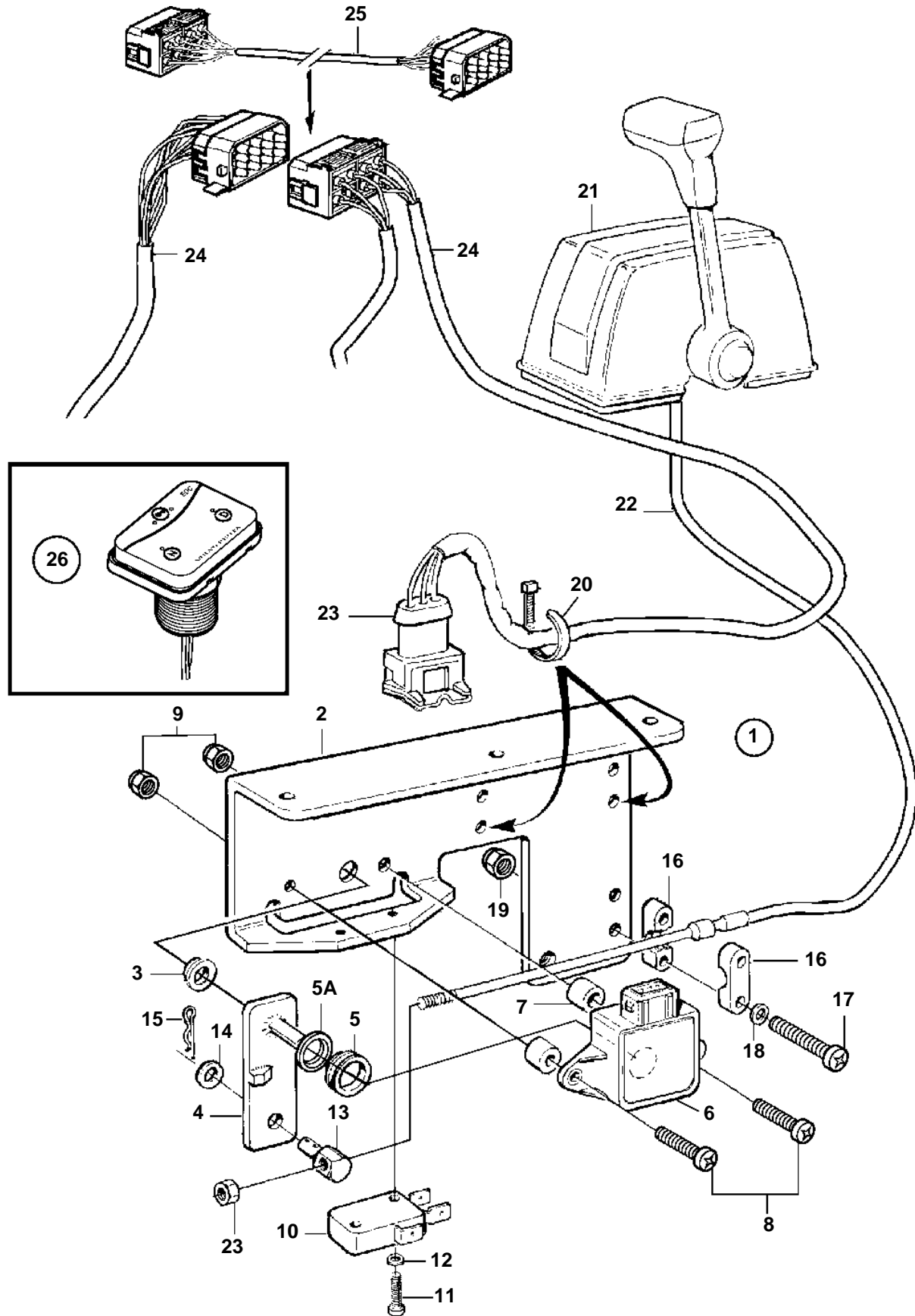


D12C-A MP, D12D-A MH



D12C-A MP, D12D-A MH

REF	PART NO.	QTY	DESCRIPTION	SEE SEC.	NOTES
1	881910	1	Adapter		(3829694)
2	3825620	1	• Bracket		
3	3829680	1	• Bushing		
4	3825366	1	• Lever		
5	943342	1	• Sealing ring		
5A	3829681	1	• Washer		
6	1336385	1	• Potentiometer		
7	3825525	2	• Spacer		
8	969518	2	• Screw		L=25mm
9	963103	2	• Lock nut		
10	850200	1	• Switch		
11	956049	2	• Screw		
12	955890	2	• Washer		
13	814082	1	• Cube		
14	955892	1	• Washer		
15	664822	1	• Lock spring		
16	850361	2	• Cable attachment		
17	956081	2	• Screw		
18	940090	2	• Washer		
19	949874	2	• Lock nut		(946577)
20	948211	2	• Strip clamp		
21		1	Control		
22		1	Control cable	231	
23		1	• Nut		
24	874148	1	Cable kit		
25	873908	1	Extension cable		L=5000mm
	873909	1	Extension cable		L=9000mm
26			Control panel	6334	