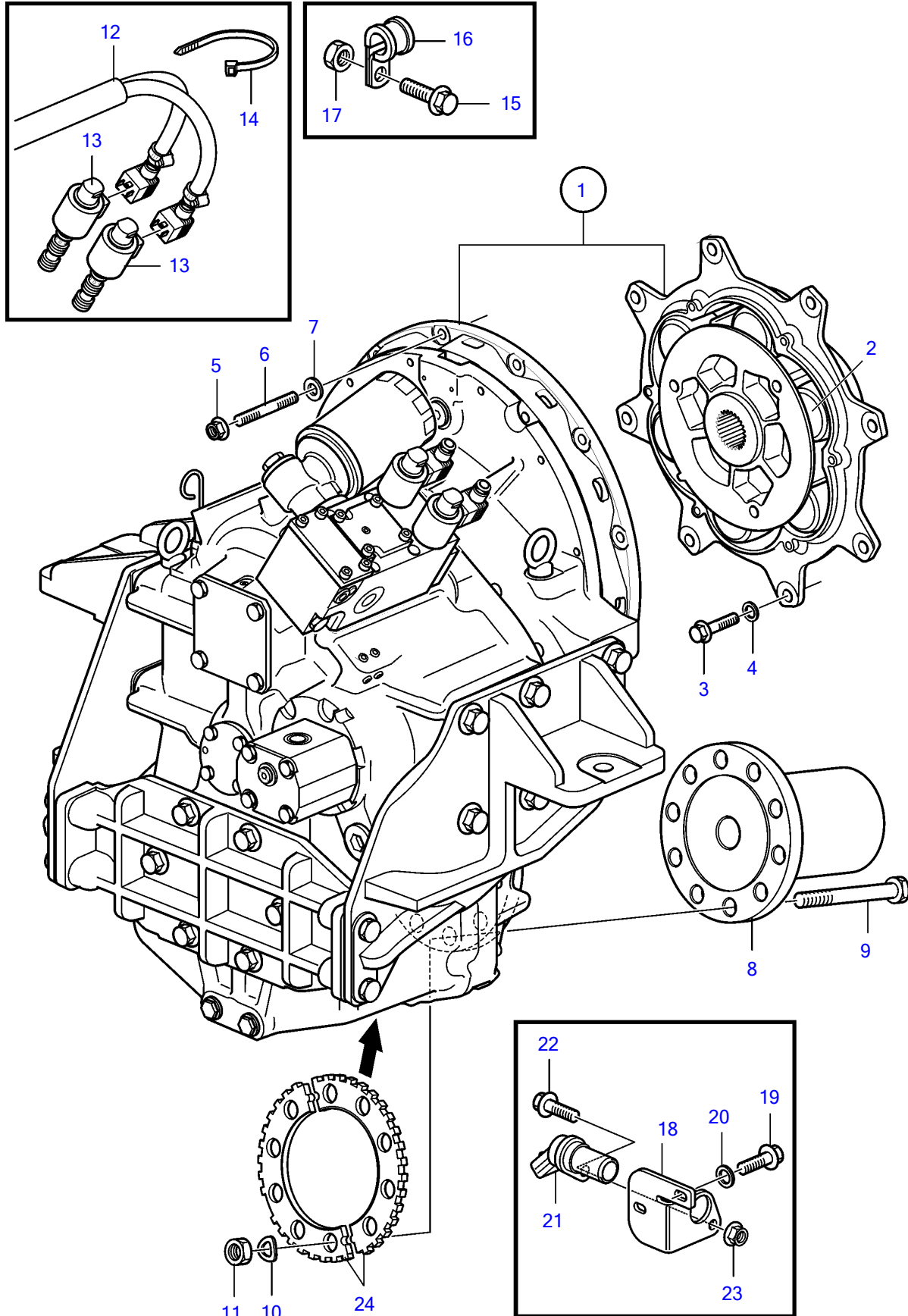


D11A-A, D11A-D



D11A-A, D11A-D

REF	PART NO.	QTY	DESCRIPTION	NOTES
1		1	Reversing gear	Ratio 1.48:1
		1	Reversing gear	Ratio 1.73:1
		1	Reversing gear	Ratio 2.03:1
2	21509619	1	• Roller kit	
3	970954	8	Hexagon screw	
4	976945	8	Washer	
5	965185	12	Flange screw	
6	479972	12	Stud	
7	942336	12	Spring washer	
8	(864087)	1	Clutch flange	Obsolete part
9	980253	10	Hexagon screw	
10	941913	10	Spring washer	
11	943674	10	Lock nut	
12	3594238	1	Wiring harness	
13	3831157	2	Solenoid	
14	948211	X	Cable tie	
15	946544	2	Flange screw	
16	952632	1	Clamp	
17	949278	1	Flange lock nut	
18	3841424	1	Bracket	
19	967949	2	Flange screw	
20	949607	2	Spring washer	
21	20513343	1	Sensor, tachometer sender, reverse gear	
22	946544	1	Flange screw	
23	949278	1	Flange lock nut	
24	3841413	2	Sprocket wheel	