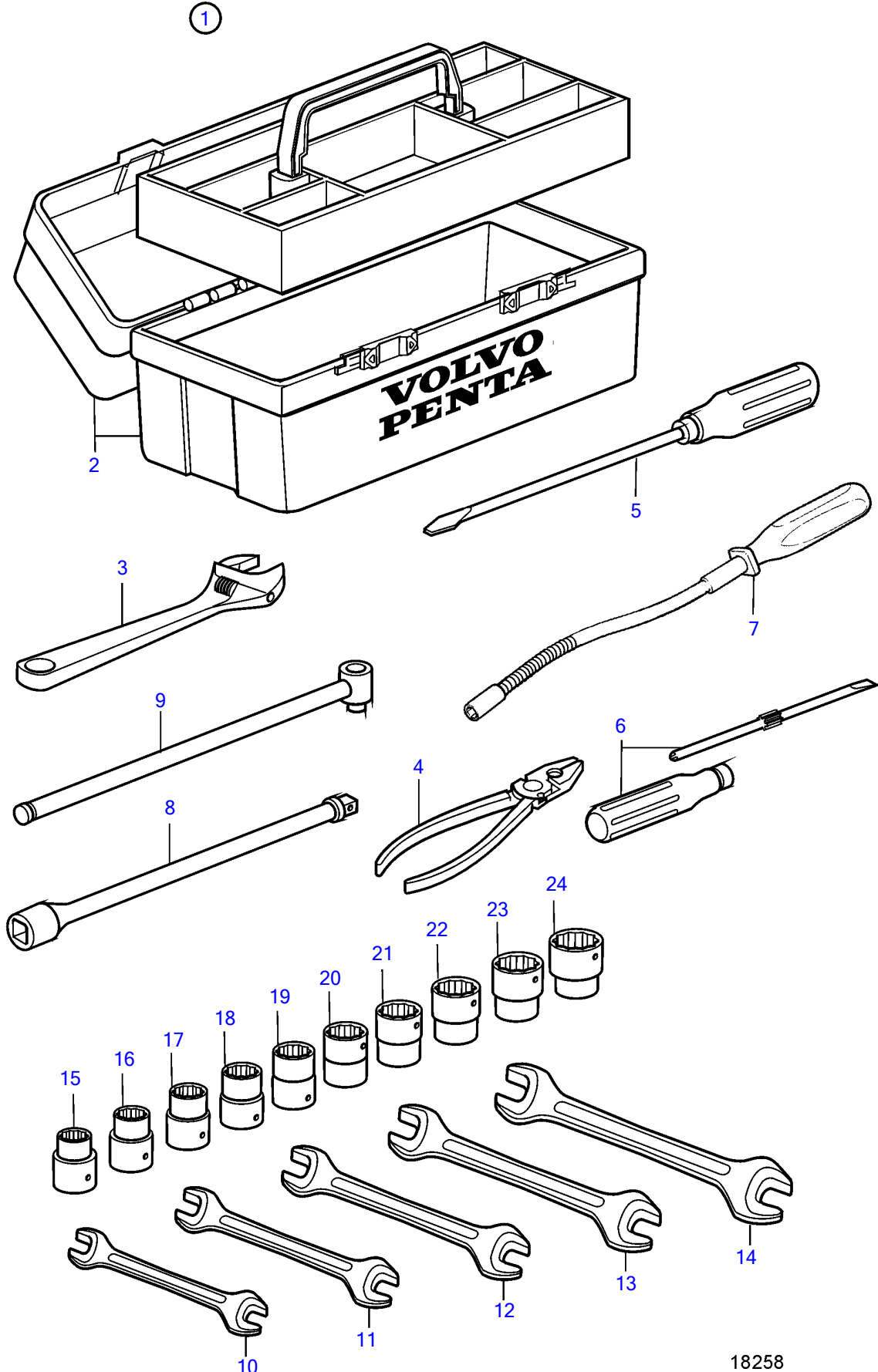


D11A-A, D11A-B, D11A-C, D11A-D, D11A-C (IPS), D11A-D MP IPS



D11A-A, D11A-B, D11A-C, D11A-D, D11A-C (IPS), D11A-D MP IPS

REF	PART NO.	QTY	DESCRIPTION	NOTES
1	3832808	1	Tool box	(849167)
2	3841091	1	• Tool box	(842021)
3	(962045)	1	• Adjustable wrench	Obsolete part
4	(962032)	1	• Pliers	Obsolete part
5	804771	1	• Screwdriver	
6	(963929)	1	• Combination screwdri	Obsolete part
7	884573	1	• Tool	
8	(962295)	1	• Extension	Obsolete part
9	(962291)	1	• Jointed handle	Obsolete part
10	(884912)	1	• Open-end wrench	10-11mm, Obsolete part
11	(884913)	1	• Open-end wrench	12-13mm, Obsolete part
12	(884914)	1	• Open-end wrench	14-15mm, Obsolete part
13	(884915)	1	• Open-end wrench	17-19mm, Obsolete part
14	(884916)	1	• Open-end wrench	22-24mm, Obsolete part
15	(962259)	1	• Sleeve	10mm, Obsolete part
16	(962260)	1	• Sleeve	11mm, Obsolete part
17	(962269)	1	• Sleeve	12mm, Obsolete part
18	(962261)	1	• Sleeve	13mm, Obsolete part
19	(962270)	1	• Sleeve	14mm, Obsolete part
20	(962271)	1	• Sleeve	15mm, Obsolete part
21	(962262)	1	• Sleeve	17mm, Obsolete part
22	(962263)	1	• Sleeve	19mm, Obsolete part
23	(962264)	1	• Sleeve	22mm, Obsolete part
24	(962267)	1	• Sleeve	30mm, Obsolete part