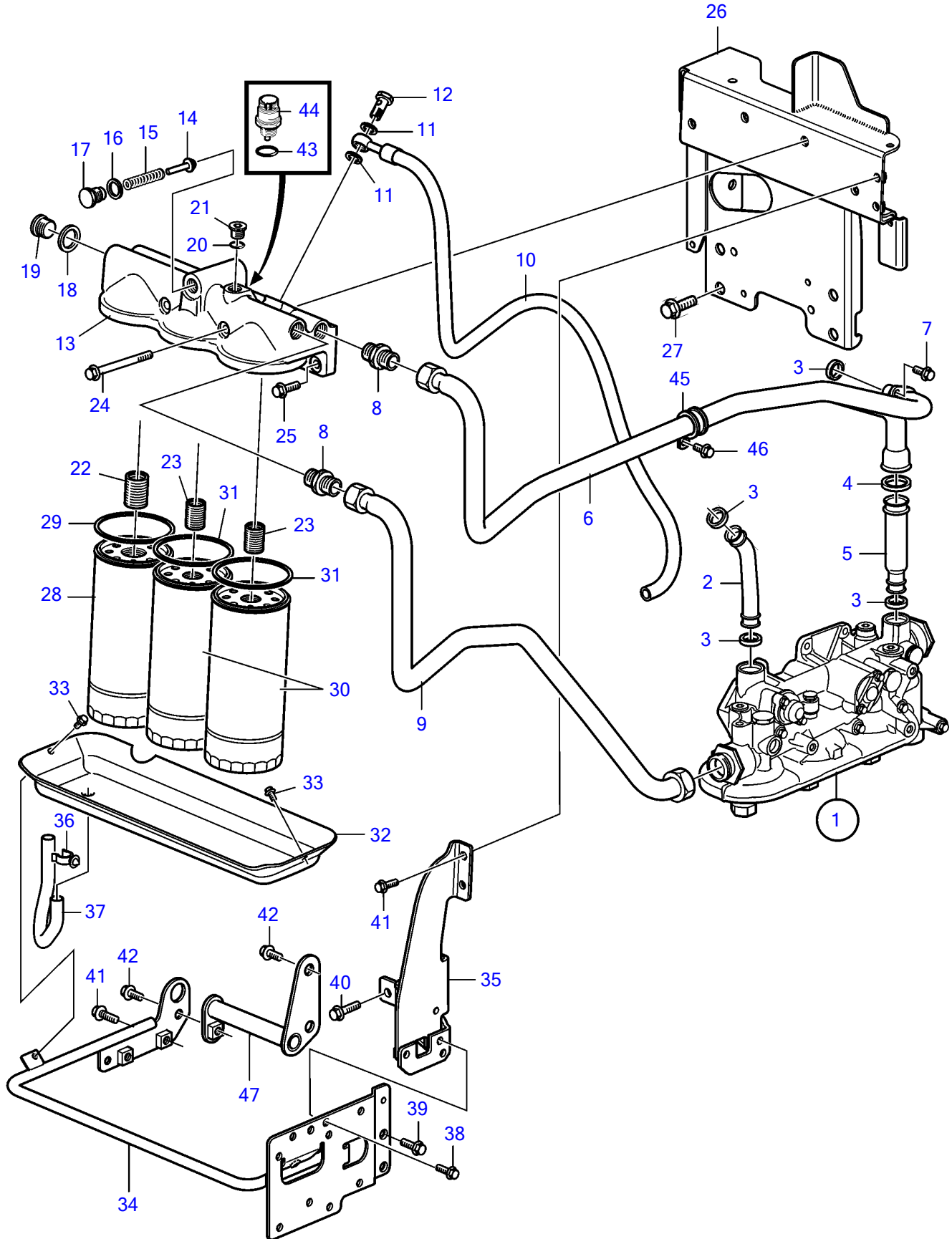


D11A-A, D11A-B, D11A-C, D11A-D



D11A-A, D11A-B, D11A-C, D11A-D

REF	PART NO.	QTY	DESCRIPTION	SEE SEC.	NOTES
1	3886539	1	Oil filter housing		
			•	21996	
2	20951337	1	Pipe		
3	471626	3	Sealing ring		
4	1543578	1	Sealing ring		
5	21114916	1	Oil line		
6	3885721	1	Oil line		
7	946173	2	Flange screw		
8	984802	2	Nipple		
9	3885725	1	Oil line		
10	3883438	1	Oil hose		
11	982723	2	Gasket		
12	25167	1	Hollow screw		
13	11127988	1	Oil filter housing		
14	471085	1	• Valve cone		
15	466653	1	• Compression spring		
16	976932	1	• Gasket		
17	471598	1	• Plug		
18		1	• Gasket		
19		1	• Plug		
20		1	• Gasket		
21		1	• Plug		
22	469904	1	• Nipple		
23	466623	2	• Nipple		
24	969313	2	Flange screw		
25	946472	2	Flange screw		
26	21131317	1	Bracket		
27	966356	4	Flange screw		
28	477556	1	Oil filter		
29		1	• Gasket		
30	478736	2	Oil filter		
31		2	• Gasket		
32	3595397	1	Spill plate		
33	967949	2	Flange screw		
34	21384429	1	Bracket		Later production
35	3817750	1	Bracket		
36	9135343	1	Retainer		
37	941507	X	Hose		L=300mm
38	945444	2	Flange screw		
39	946472	2	Flange screw		
40	965186	2	Flange screw		
41	946440	5	Flange screw		
42	946441	2	Flange screw		
43	968559	1	O-ring		
44	1077574	1	Sensor, oil pressure/temperature		
45	943717	1	Clamp		
46	947107	1	Flange screw		
47	21384679	1	Bracket		