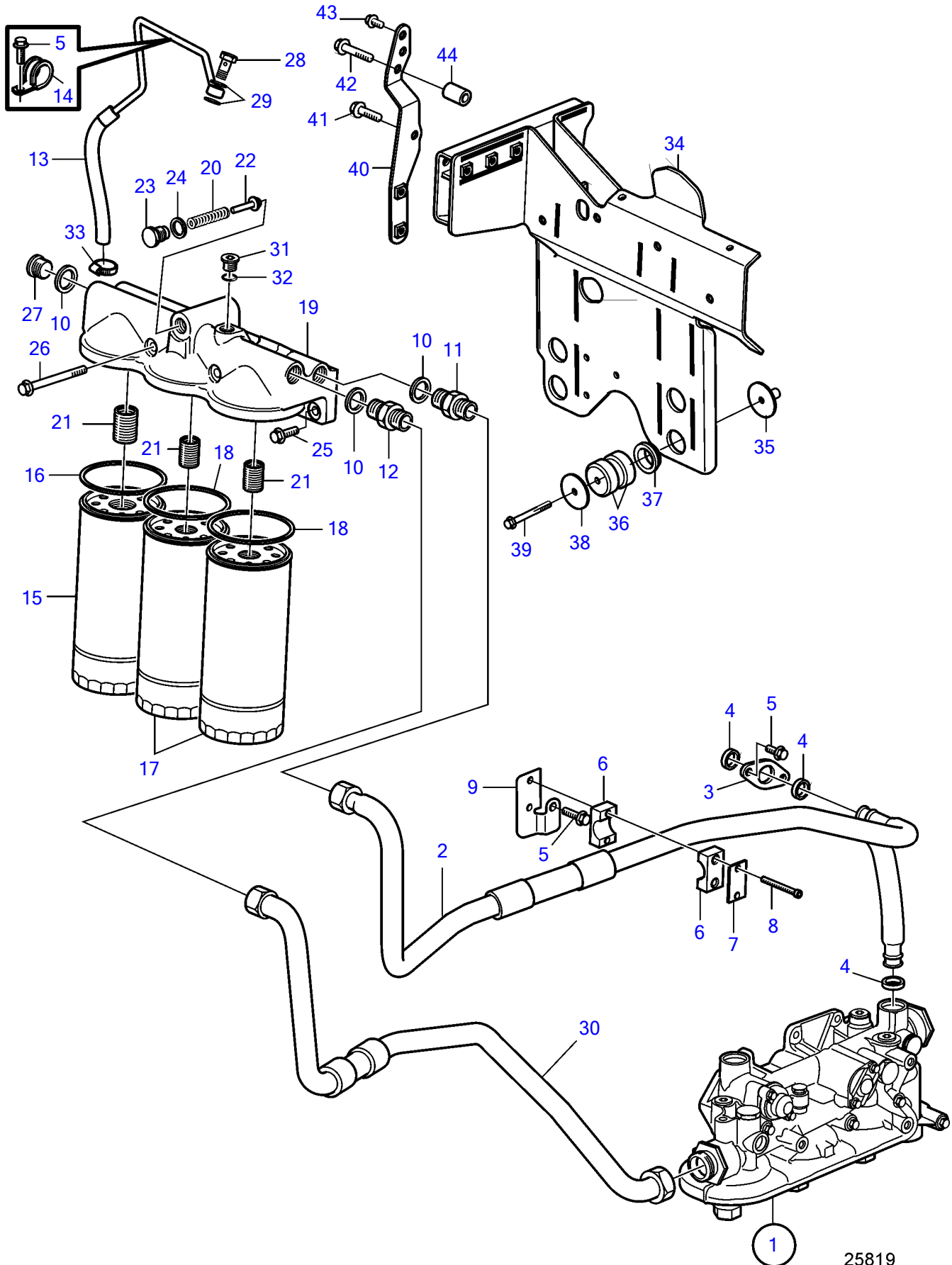


D11A-C, D11A-D



D11A-C, D11A-D

REF	PART NO.	QTY	DESCRIPTION	SEE SEC.
1	3886539	1	Oil filter housing	
			•	21996
2	21362444	1	Oil line	
3	469543	1	• Flange	
4	471626	3	Sealing ring	
5	946173	4	Flange screw	
6	21363770	1	Attaching clamp	
7	21363776	1	Cover	
8	959213	2	Hex. socket screw	
9		1	Bracket	
10	982508	4	Gasket	
11	984802	1	Nipple	
12	11158220	1	Adapter	
13	21331328	1	Oil pipe	
14	990178	1	Attaching clamp	
15	477556	1	Oil filter	
16		1	• Gasket	
17	478736	2	Oil filter	
18		2	• Gasket	
19	11127988	1	Oil filter housing	
20	466653	1	• Compression spring	
21	466623	3	• Nipple	
22	471085	1	• Valve cone	
23	471598	1	• Plug	
24	976932	1	• Gasket	
25	946472	2	Flange screw	
26	969313	2	Flange screw	
27	1698627	2	Plug	
28	25167	1	Hollow screw	
29	982723	2	Gasket	
30	21239152	1	Oil line	
31	20459641	1	Plug	
32	983333	1	O-ring	
33	961663	1	Hose clamp	
34	21312093	1	Bracket	
35	21366608	4	Bushing	
36		4	Bushing	
37		4	Bushing	
38	993933	4	Washer	
39	965181	4	Flange screw	
40	21361139	1	Bracket	
41	946441	1	Flange screw	
42	965186	1	Flange screw	
43	946440	2	Flange screw	
44	845342	1	Spacer sleeve	