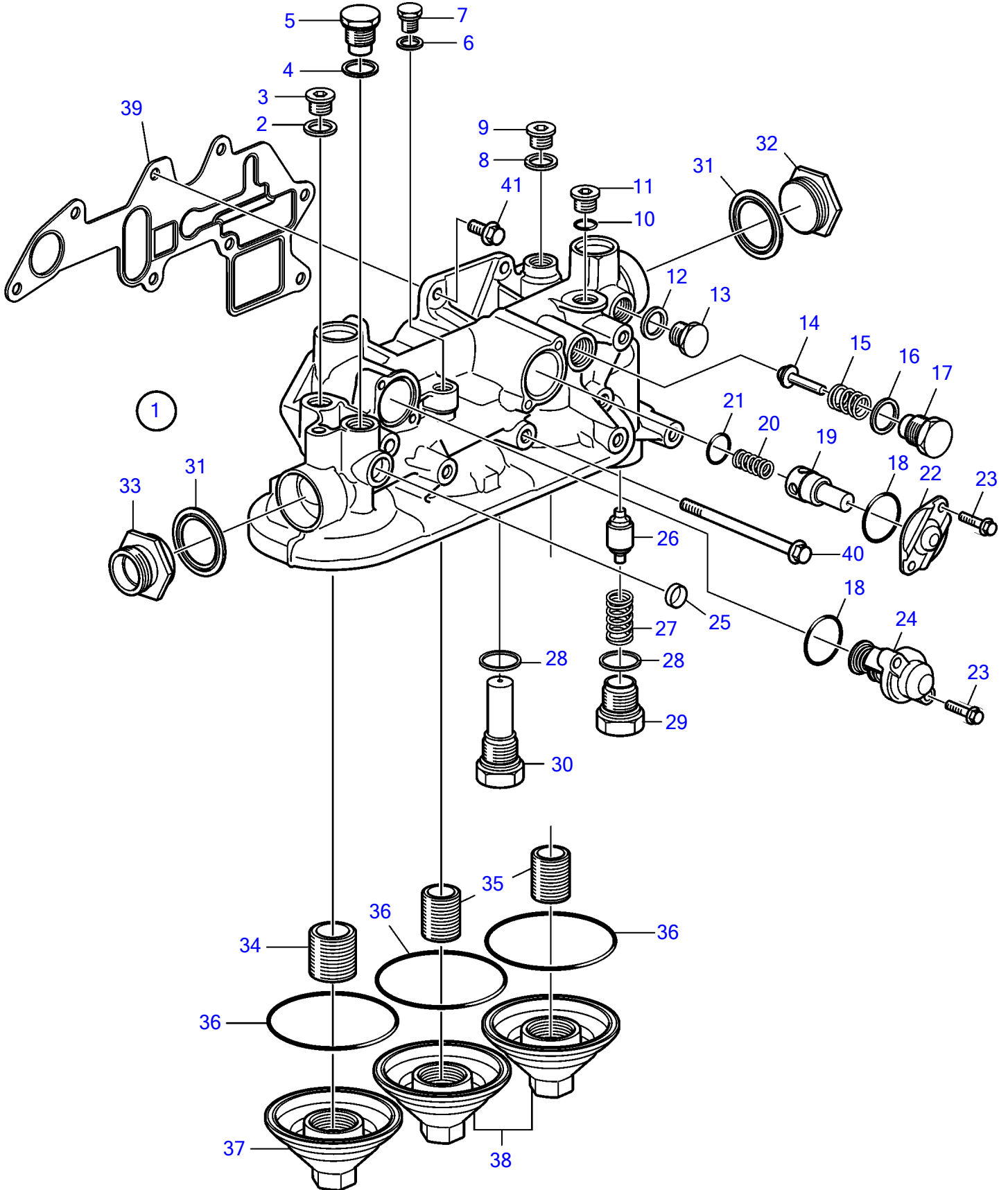


D11A-A, D11A-B, D11A-C, D11A-D



D11A-A, D11A-B, D11A-C, D11A-D

REF	PART NO.	QTY	DESCRIPTION	NOTES
1	3886539	1	Oil filter housing	
2	11998	1	• Gasket	
3	(966144)	1	• Plug	Obsolete part
4	947627	1	• Gasket	
5	471598	1	• Plug	
6	11994	1	• Gasket	
7	960629	1	• Plug	
8	947622	1	• Gasket	
9	966143	1	• Plug	
10	968559	1	• O-ring	
11	968609	1	• Plug	
12	11998	1	• Gasket	
13	960632	1	• Plug	
14	471085	1	• Valve cone, overflow valve	
15	20581560	1	• Compression spring	
16	947627	1	• Gasket	
17	471598	1	• Plug	
18	949659	2	• O-ring	
19	471812	1	• Reduction valve	
20		1	• • Spring	
21	469846	1	• Sealing ring	
22	471648	1	• Cover	
23	947542	4	• Flange screw	
24	20903074	1	• Thermostat	
25	946778	1	• Cap plug	
26	20440779	1	• Valve cone, piston cooling	
27	20464676	1	• Spring	
28	947629	2	• Gasket	
29	3587204	1	• Plug	
30		1	• Plug	
31	982510	2	• Gasket	
32	3588439	1	• Plug	
33		1	• Nipple	
34	469904	1	• Nipple	
35	466623	2	• Nipple	
36	948981	3	O-ring	
37	3812511	2	Cover	
38	21137476	1	Cover	
39	20882218	1	Gasket	
40	969225	4	Flange screw	
41	946173	4	Flange screw	