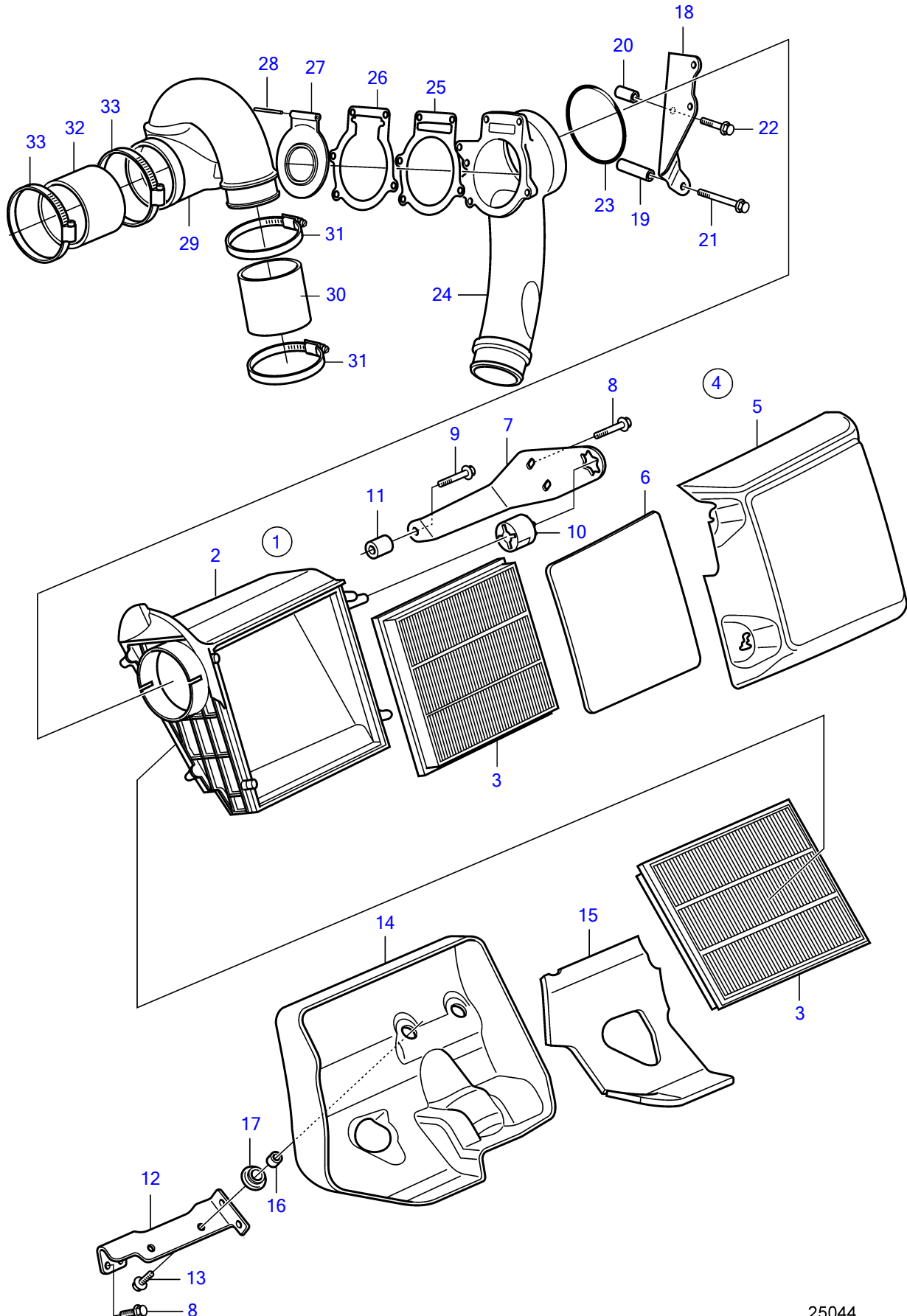


D11A-C, D11A-D



D11A-C, D11A-D

REF	PART NO.	QTY	DESCRIPTION	NOTES
1	21310017	1	Air filter	
2	(3808327)	1	• Housing	Obsolete part
	(3807823)	1	• • Air filter housing	Obsolete part
	(3807824)	1	• • Housing	Obsolete part
	3809045	8	• • Compression spring	
		8	• • Latch	
3	3818541	2	• Insert	Replaced by 21702999
	21702999	2	• Insert	
4	21353976	1	Sound trap	
5		1	• Sound trap	
6		1	• Sound absorber	
7	21295545	1	Bracket	
8	946173	4	Flange screw	
9	948217	1	Flange screw	
10	21301219	1	Rubber bushing	
11	973273	1	Spacer sleeve	
12	21295556	1	Bracket	
13	945444	2	Flange screw	
14	21327476	1	Sound absorber	
15		1	• Sound absorber	
16	40005089	4	• Spacer	
17	992404	4	• Grommet	
18	21257516	1	Bracket	
19		1	Sleeve	
20		1	Sleeve	
21	980475	1	Flange screw	
22	965187	1	Flange screw	
23	990692	1	O-ring	
24	21416775	1	Air shutter	
25	21389148	1	Gasket	
26	21269698	1	Gasket	
27	21416775	1	Air shutter	
28		1	• Pin	
29	21256260	1	Air shutter	
30	470327	1	Hose	
31	995045	2	Hose clamp	
32	21305110	1	Rubber hose	
33	853012	2	Hose clamp	