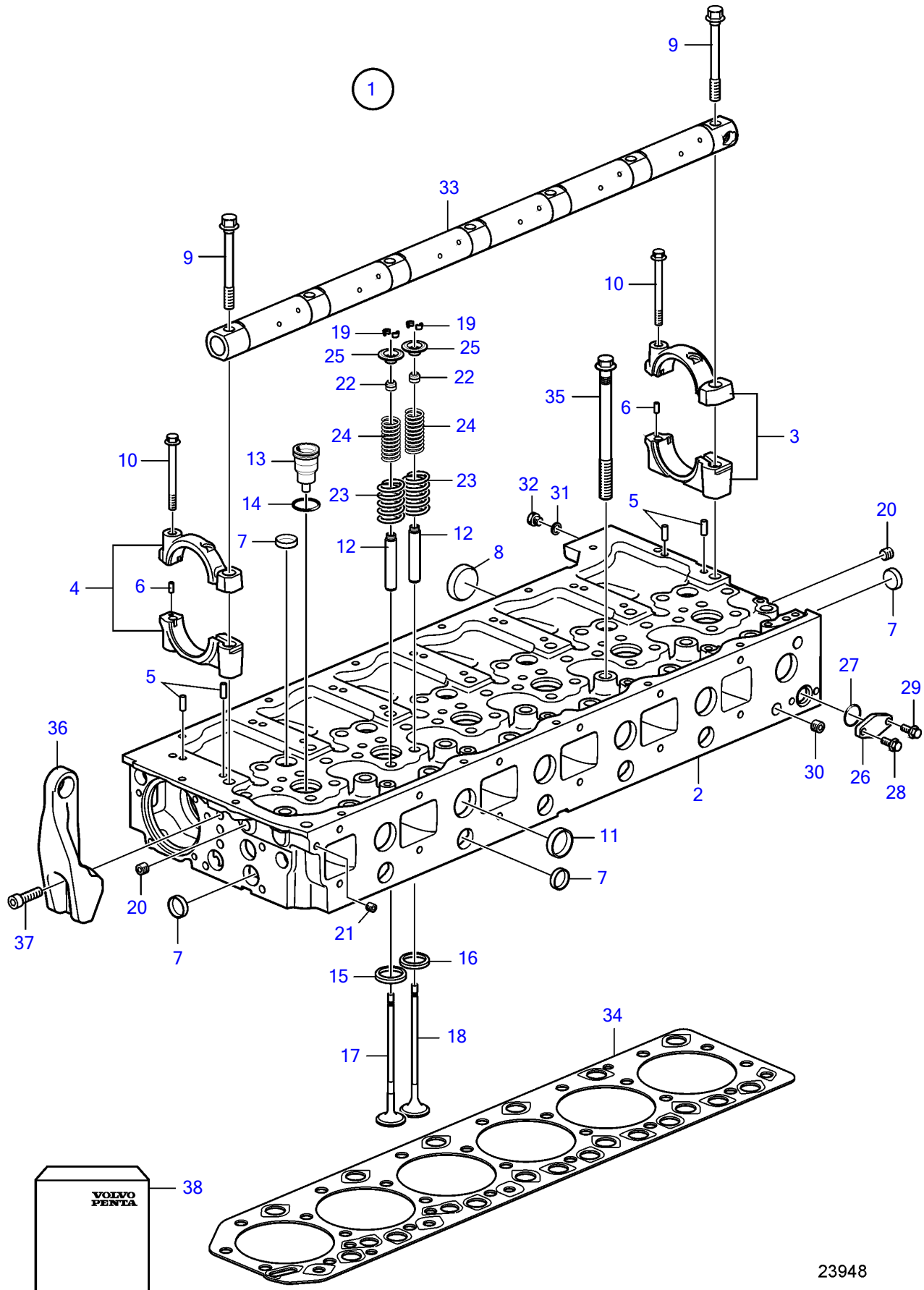


D11A-A, D11A-B, D11A-C, D11A-D



23948

D11A-A, D11A-B, D11A-C, D11A-D

REF	PART NO.	QTY	DESCRIPTION	SEE SEC.	NOTES
1	3801219	1	Cylinder head		
2		1	• Cylinder head		
	3801219	1	• Cylinder head, exch		
3	3161082	1	• • Bearing housing		
4	3161079	6	• • Bearing housing		
5	422426	2	• • Pivot pin		
6	950542	1	• • Pin		
7	24426721	18	• • Expansion plug		
8	24426723	5	• • Expansion plug		
9	20412482	7	• • Flange screw		
10	975105	7	• • Flange screw		
11	24426722	11	• • Expansion plug		
12	20905400	24	• • Valve guide		
13	85110558	6	• • Copper sleeve kit		
14	20536487	6	• • O-ring		
15	20509465	12	• • Valve seat, intake		
16	20509467	12	• • Valve seat, exhaust		
17	20737856	12	• Inlet valve		
18	3842972	12	• Exhaust valve		
19	20510747	48	• Valve cotter		
20	968062	2	• Plug		
21	990828	1	• Plug		
22	20864662	24	• Valve seal		
23	3183210	24	• Valve spring		
24	3183211	24	• Valve spring		
25	20510743	24	• Valve spring washer		
26	20451868	1	• Plug		
27	949658	1	• O-ring		
28	946440	1	• Flange screw		
29	946173	1	• Flange screw		
30	968063	1	• Plug		
31	18665	1	• Gasket		
32	960628	1	• Plug		
33		1	Rocker arm shaft	21985	
34	20495935	1	Cylinder head gasket		
35	1547419	26	Screw		
36		1	Lifting eye		
37	966789	3	Hex. socket screw		
38	3843449	1	Cylinder head gasket		See group 99