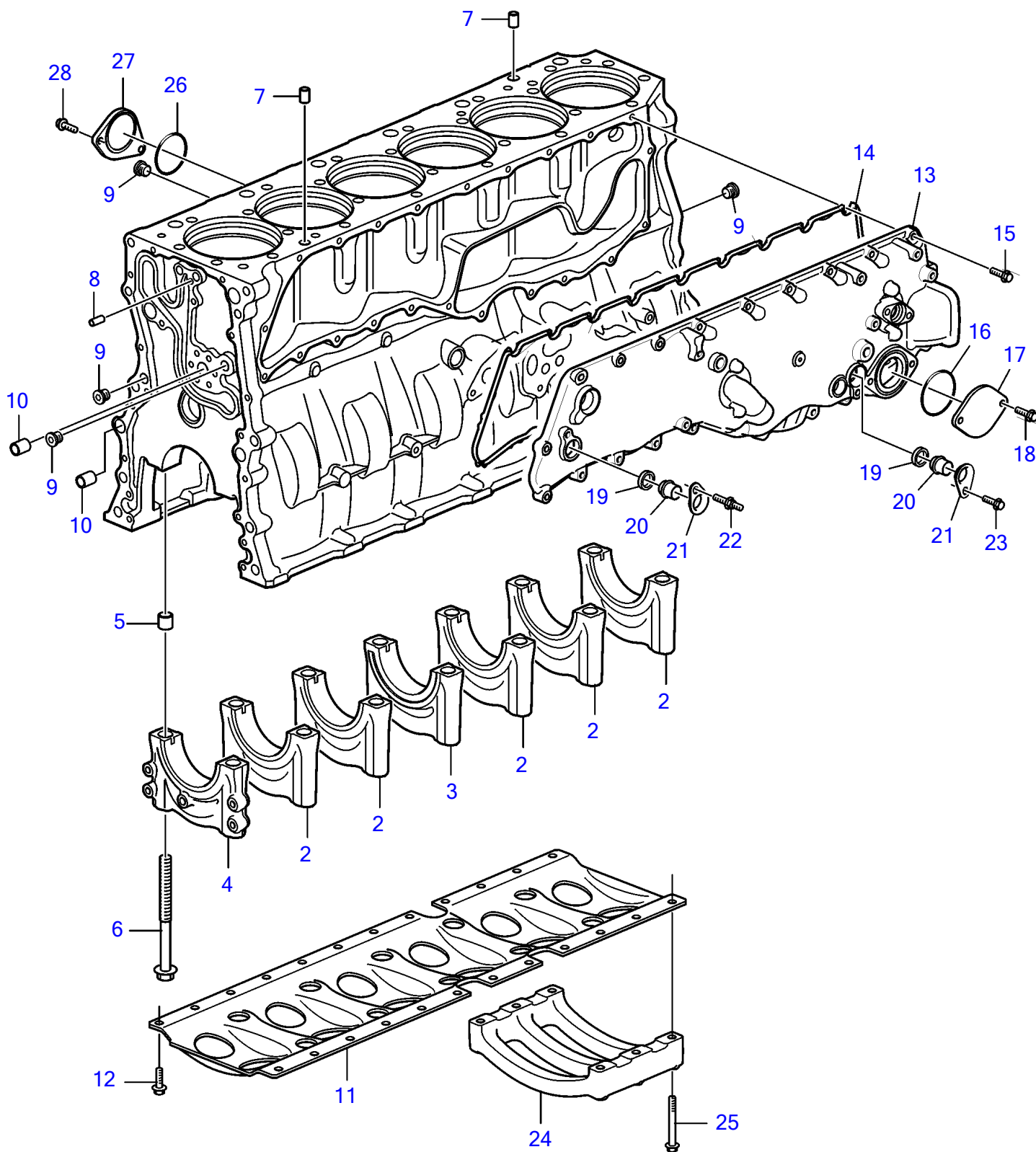


D11A-A, D11A-B, D11A-C, D11A-D

1



D11A-A, D11A-B, D11A-C, D11A-D

REF	PART NO.	QTY	DESCRIPTION	NOTES
1	21011206	1	Cylinder block	
2		5	• Main bearing cap	
3		1	• Main bearing cap	
4		1	• Main bearing cap	
5		14	• Guide sleeve	
6	1547040	14	• Flange screw	
7	20485996	2	Guide sleeve	
8	950588	1	Pin	
9	984793	4	Plug	
10	8131145	2	Guide sleeve	
11	20575260	1	Frame	Replaced by 21644471
	21644471	1	Frame reinforcement	
12	946472	10	Flange screw	
13	20910025	1	Cover	
14	20584639	1	Sealing strip	
15	946671	22	Flange screw	
16	975675	1	O-ring	
17	3177470	1	Flange	
18	945444	2	Flange screw	
19	1547252	2	Sealing ring	
20	20845995	2	Plug	
21	20718731	2	Yoke	
22	20714050	1	Stud	
23	945444	1	Flange screw	
24	3836277	1	Reinforcement	
25	975103	6	Flange screw	
26	949660	1	O-ring	
27	3884277	1	Cover	
28	946173	2	Flange screw	