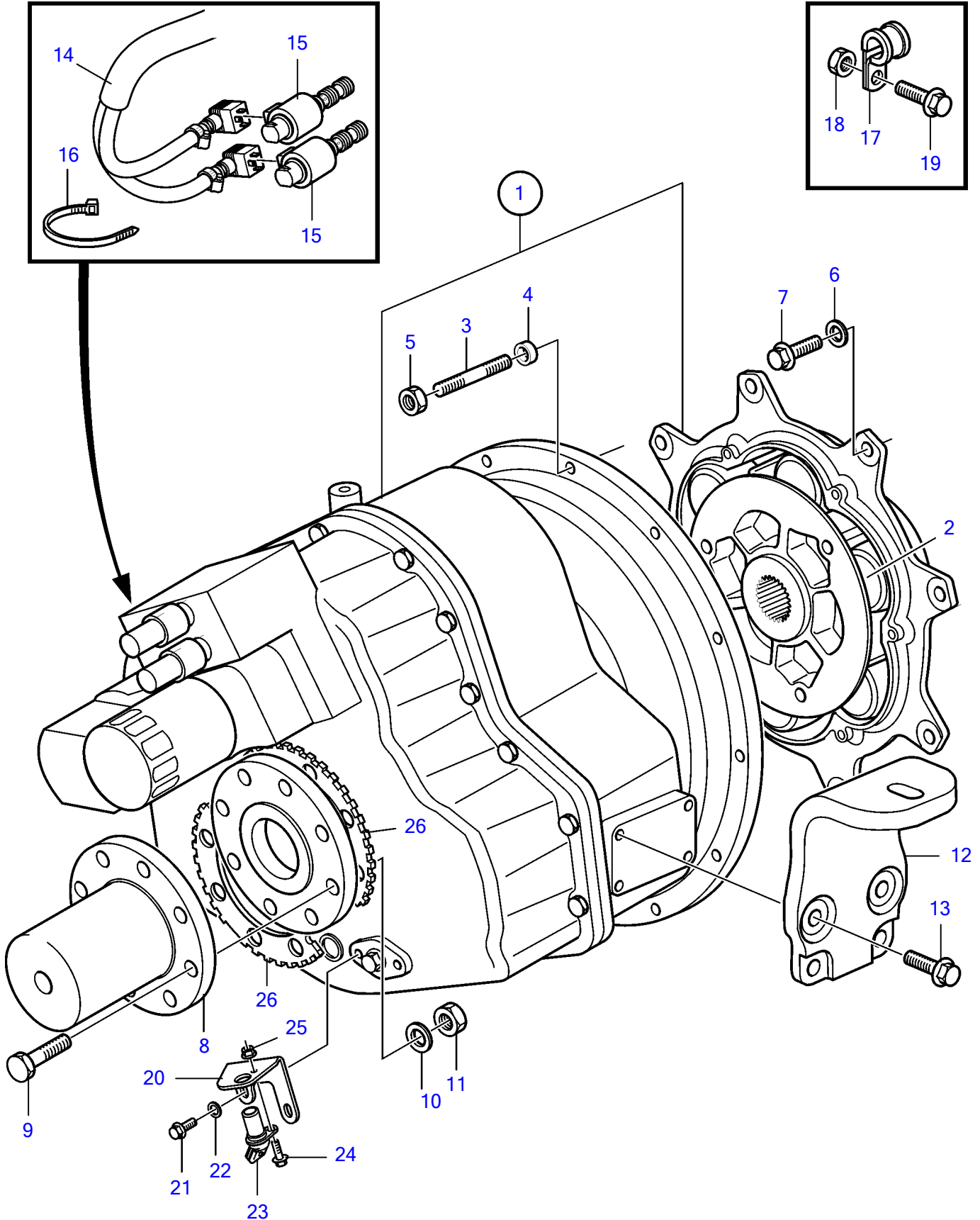


D11A-A, D11A-D



D11A-A, D11A-D

REF	PART NO.	QTY	DESCRIPTION	SEE SEC.	NOTES
1		1	Reversing gear		7° angle down, Ratio 1.50:1
		1	Reversing gear		7° angle down, Ratio 1.76:1
		1	Reversing gear		7° angle down, Ratio 2.03:1
2	21509619	1	• Roller kit		
3	479972	12	Stud		
4	942336	12	Spring washer		
5	971089	12	Lock nut		
6	976945	8	Washer		
7	970954	8	Hexagon screw		
8	863994	1	Clutch flange		
9	955739	8	Hexagon screw		
10	941912	8	Spring washer		
11	950378	8	Lock nut		
12	3594664	2	Engine mountings		
13	968435	8	Flange screw		
14	3594238	1	Wiring harness		
15	3826414	2	Solenoid		
16	948211	X	Cable tie		
17	952632	2	Clamp		
18	949278	1	Flange lock nut		
19	946544	1	Flange screw		
20	3840887	1	Bracket		
21	946440	2	Flange screw		
22	941907	2	Spring washer		
23		1	Tachometer sensor	22014	
24	946544	1	Flange screw		
25	949278	1	Flange lock nut		
26	3841413	2	Sprocket wheel		