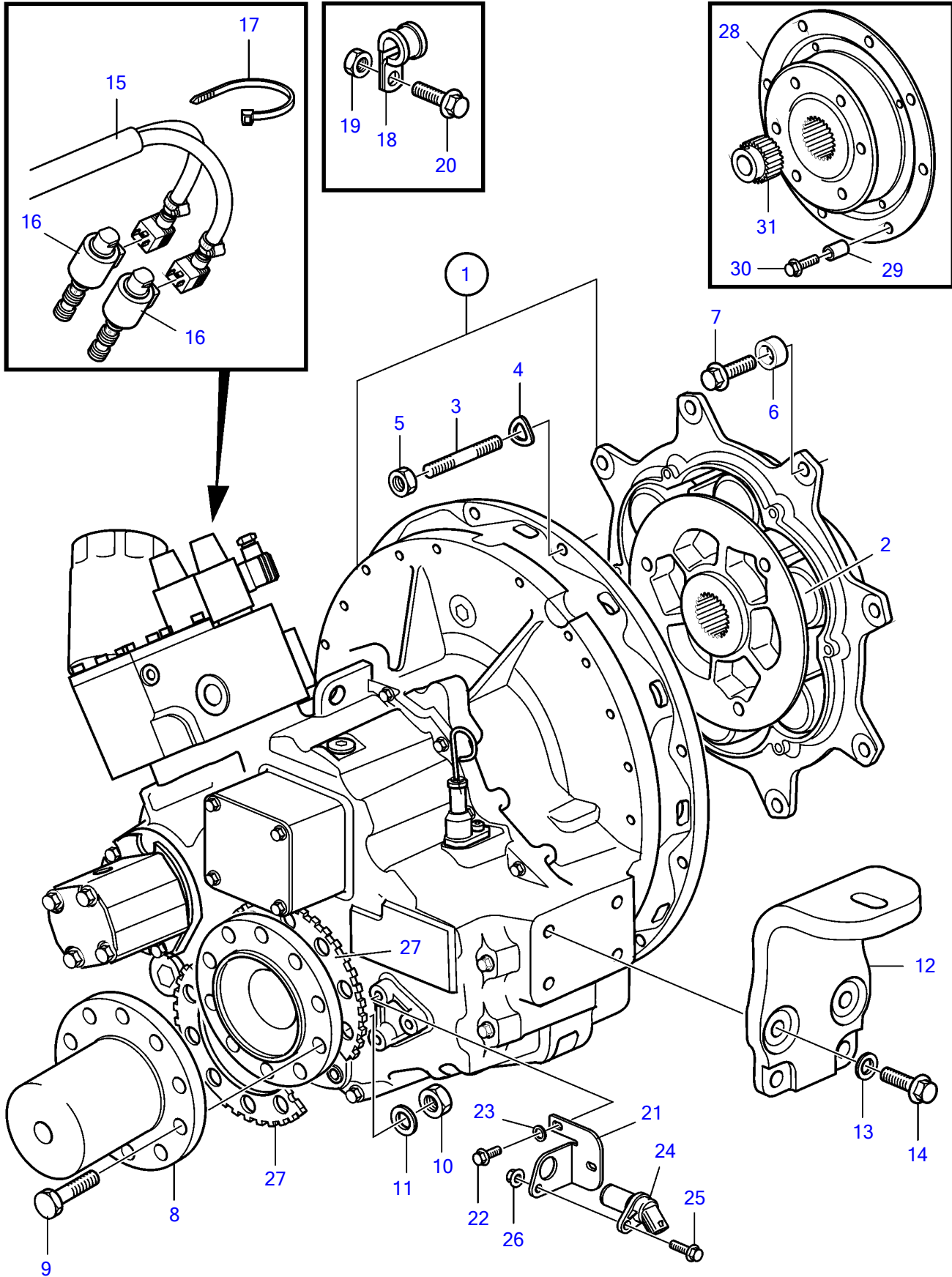


D11A-A, D11A-D



D11A-A, D11A-D

REF	PART NO.	QTY	DESCRIPTION	SEE SEC.	NOTES
1		1	Reversing gear		Ratio 1.51:1
		1	Reversing gear		Ratio 1.73:1
		1	Reversing gear		Ratio 2.04:1
2	21509619	1	• Roller kit		
3	479972	12	Stud		
4	942336	12	Spring washer		
5	971089	12	Lock nut		
6	845342	8	Spacer sleeve		
7	965187	8	Flange screw		
8	3589507	1	Companion flange		
9	955739	10	Hexagon screw		
10	950378	10	Lock nut		
11	941912	10	Spring washer		
12	3808128	2	Engine mountings		
13	955900	8	Washer		
14	968435	8	Flange screw		
15	3594238	1	Wiring harness		
16	3589000	1	Solenoid valve kit		
17	948211	X	Cable tie		
18	952632	2	Clamp		
19	949278	1	Flange lock nut		
20	946544	1	Flange screw		
21	3595206	1	Bracket		
22	946440	2	Flange screw		
23	941907	2	Spring washer		
24		1	Tachometer sensor	22014	
25	946544	1	Flange screw		
26	949278	1	Flange lock nut		
27	3595202	2	Sprocket wheel		
28	21532583	1	Flexible coupling		
29	995056	8	Spacer sleeve		
30	965187	8	Flange screw		
31	21581531	1	Hub		