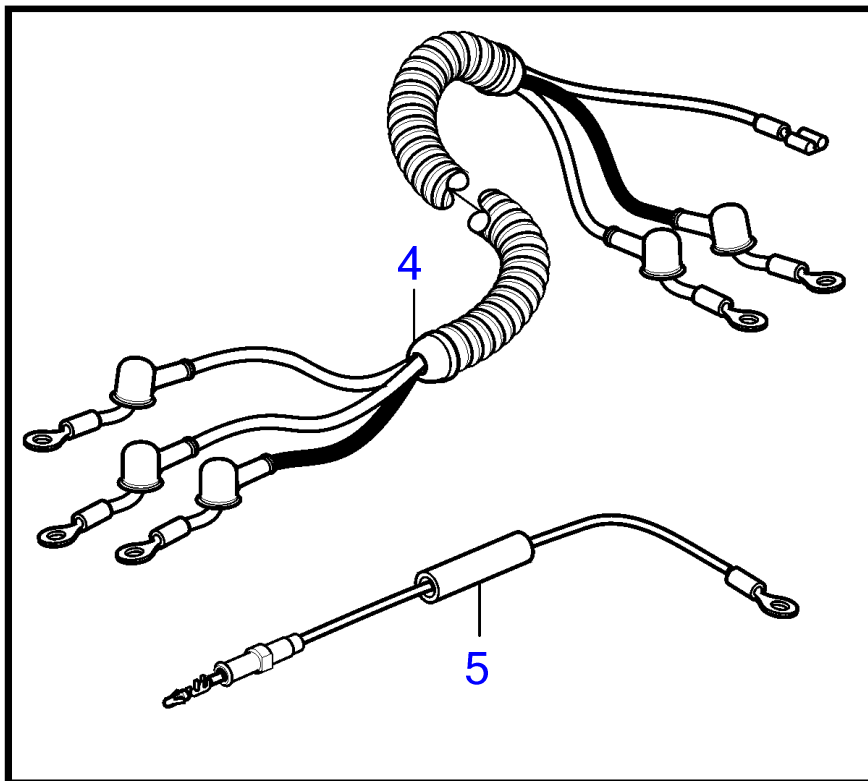
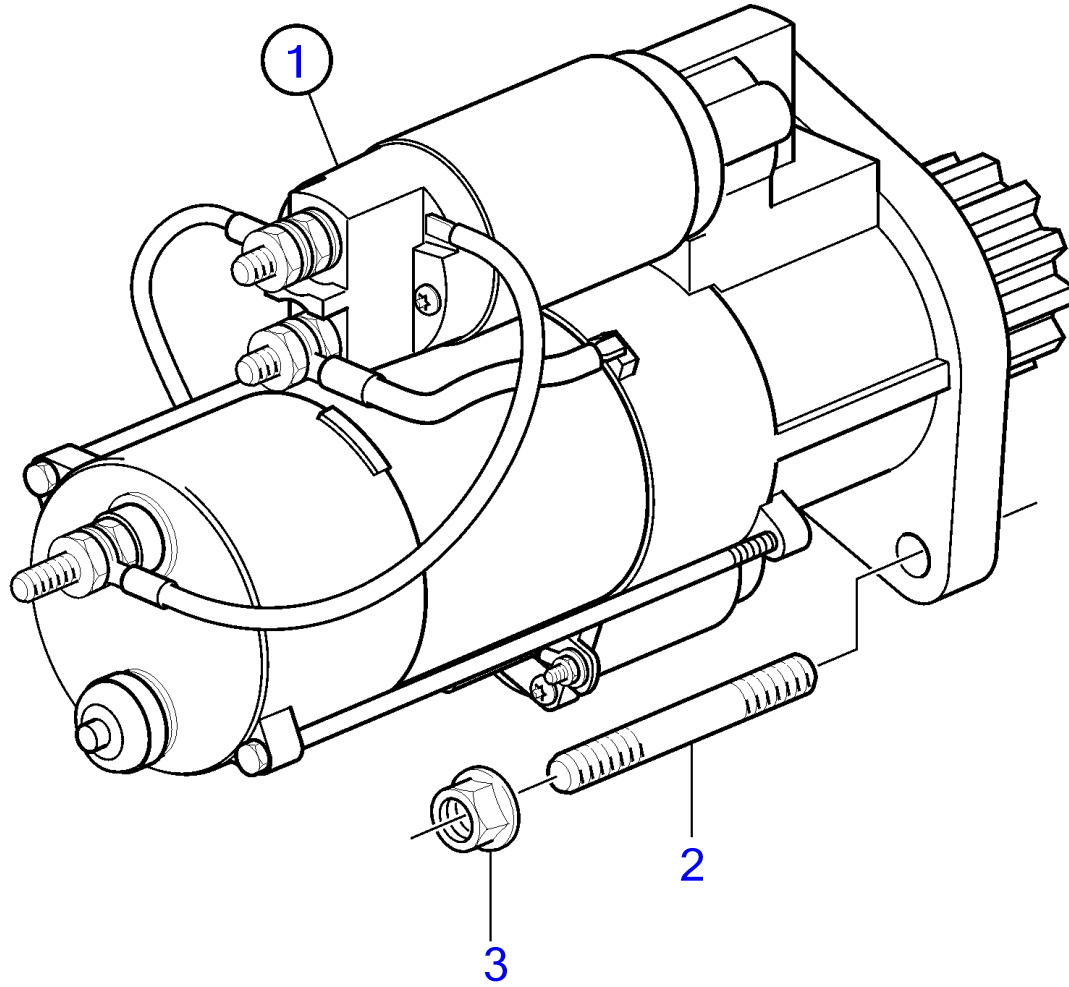


D11A-A, D11A-B, D11A-C, D11A-D



23592

D11A-A, D11A-B, D11A-C, D11A-D

REF	PART NO.	QTY	DESCRIPTION	NOTES
1	3801220	1	Starter motor, exch • parts not sold separately	24V
2	953071	3	Stud	
3	471622	3	Flange lock nut	
4	3889280	1	Wiring harness	For alternator
5	3889282	1	Resistor	For alternator 24V