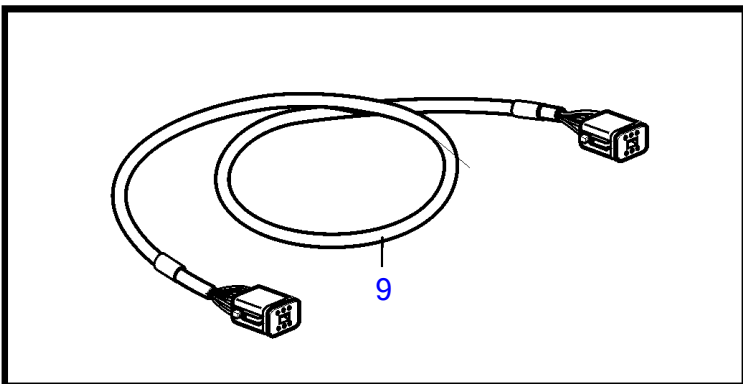
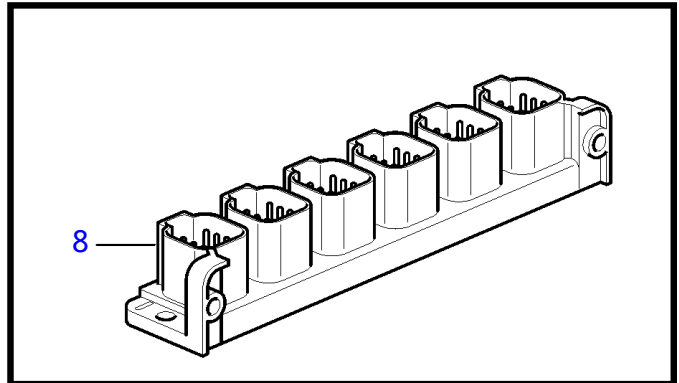
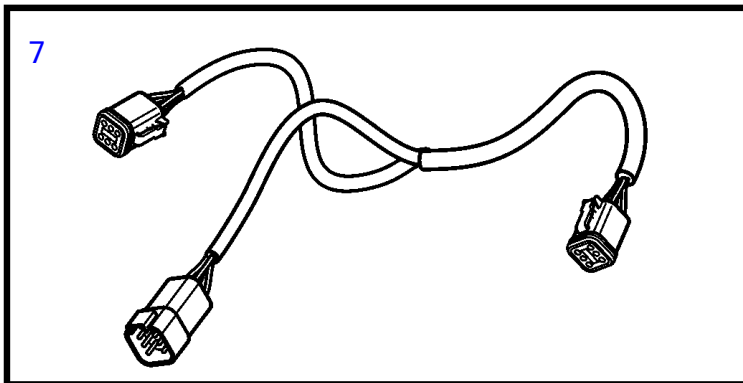
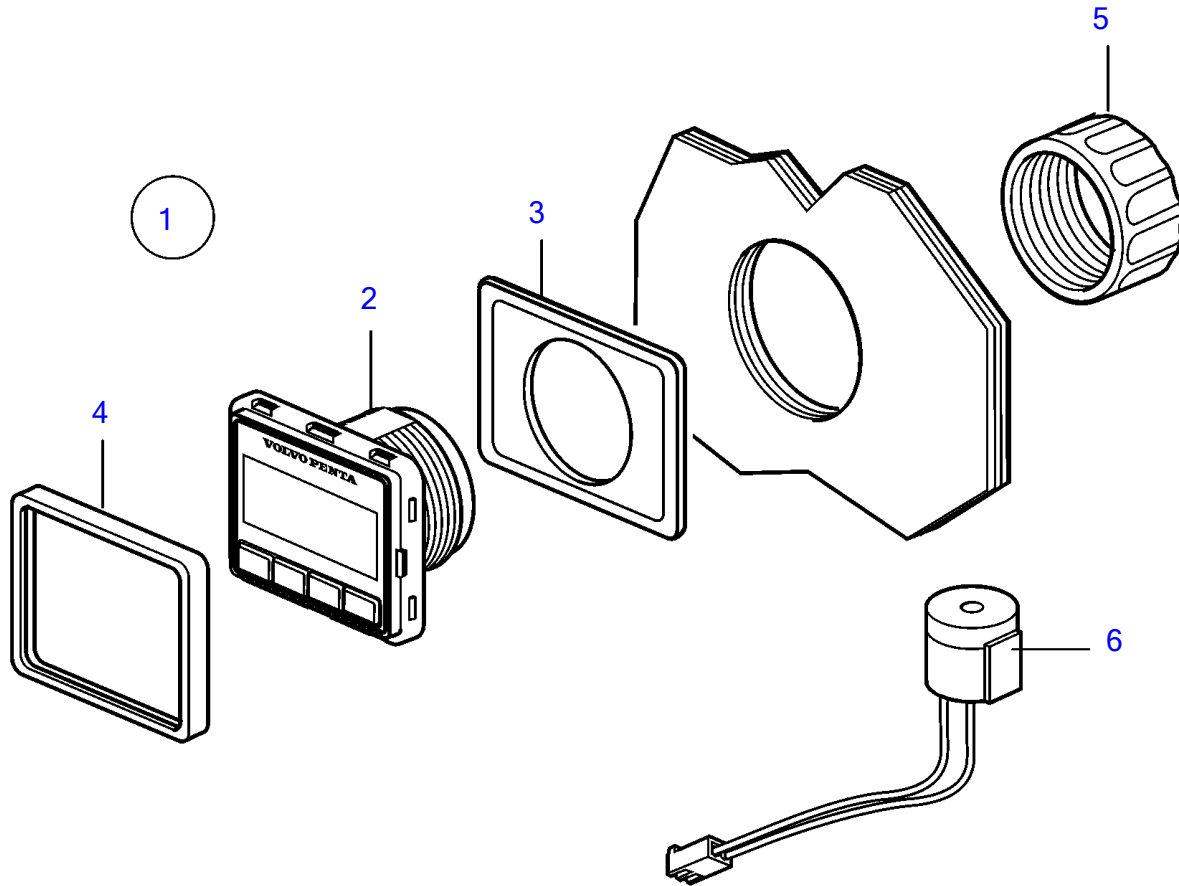


D11A-D



25294

## D11A-D

REF	PART NO.	QTY	DESCRIPTION	NOTES
1	21761722	1	Display	Flexidisplay button panel
2		1	• Display	
3	3808135	1	• Gasket	
4	21467057	1	• Frame	
5	874450	1	• Attaching ring	
6	21358227	1	• Buzzer	12V
7	3588972	2	Cable kit	
8	21469055	1	Connection block	
9	3886666	6	Cable	