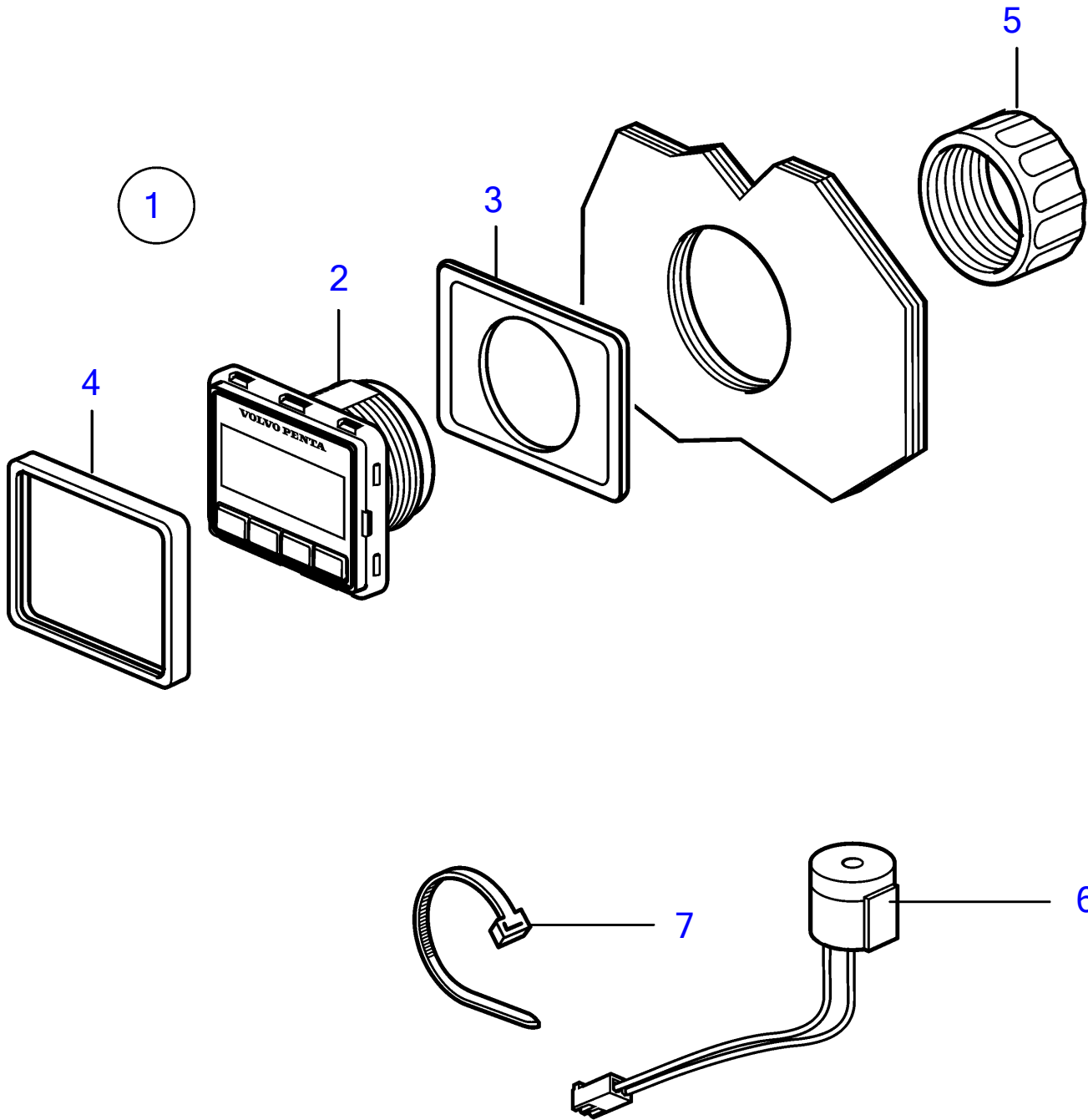


D11A-C, D11A-D, D11A-C (IPS)



25281

D11A-C, D11A-D, D11A-C (IPS)

REF	PART NO.	QTY	DESCRIPTION	NOTES
1	21761722	1	Display	2,5" generic button panel
2		1	• Display	
3	3808135	1	• Gasket	
4	21467057	1	• Frame	
5	874450	1	• Attaching ring	
6	21358227	1	• Buzzer	12V
7	948211	X	Cable tie	For top mounting