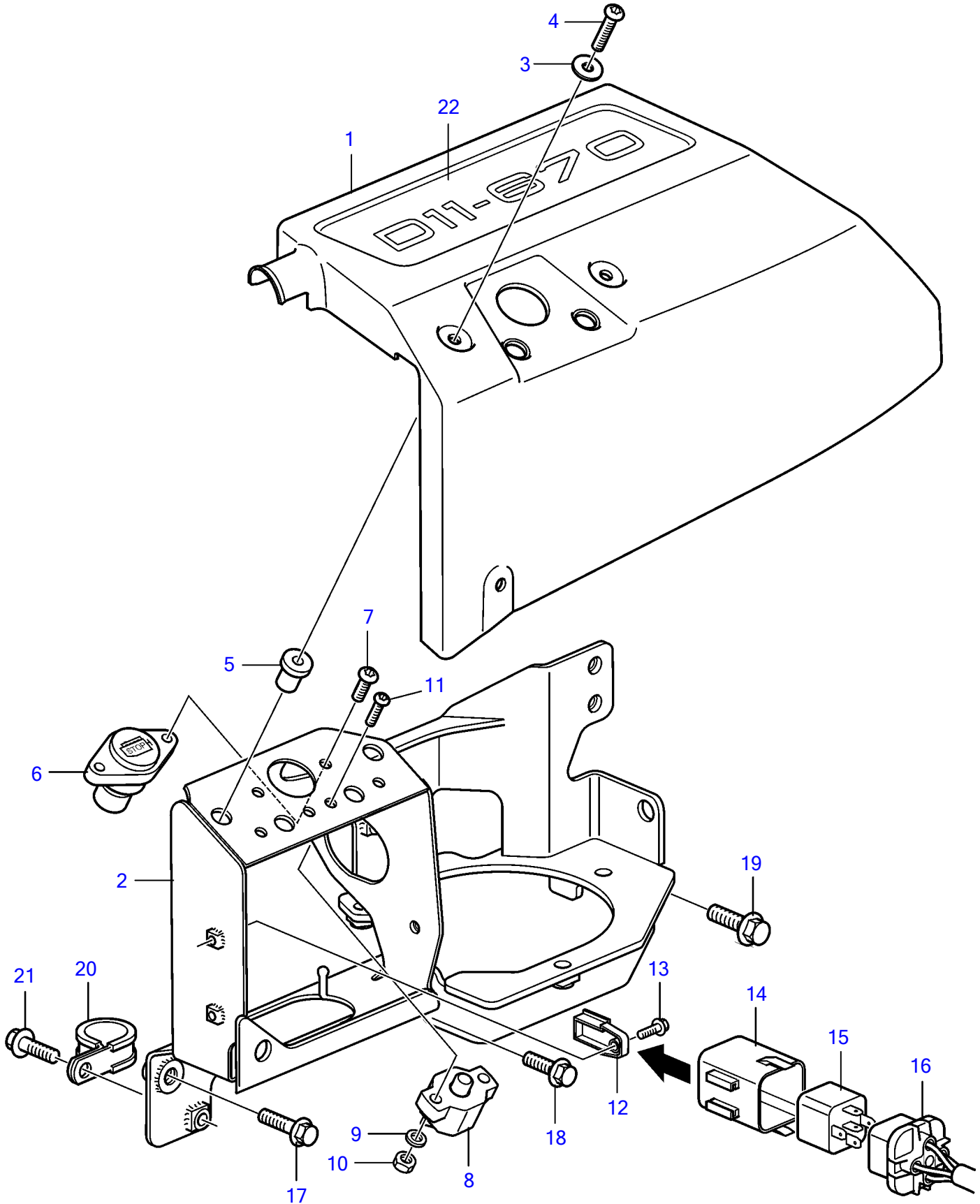


D11A-A, D11A-D



D11A-A, D11A-D

REF	PART NO.	QTY	DESCRIPTION	NOTES
1	21168958	1	Cover	
2	21845943	1	Bracket	
3	976943	4	Washer	
4		2	Rivet	
5	930760	2	Expanding nut	
6	21847110	1	Stop button	
7	986214	2	6 point socket screw	
8	873952	2	Automatic fuse	
9	940090	4	Washer	
10	955780	4	Hexagon nut	
11	969408	4	6 point socket screw	
12	3587174	1	Relay retainer	12V
13	969407	1	6 point socket screw	
14	3587173	1	Relay box	
15	3171420	1	Relay	
16	3587172	1	Relay socket	
17	948336	1	Flange screw	
18	(968288)	1	Flange screw	Obsolete part
19	946441	1	Flange screw	
20	947827	1	Clamp	
21	946173	1	Flange screw	
22	21169744	1	Decal	D11-670
	21306261	1	Decal	IPS-800
	21306260	1	Decal	IPS-850
	21218582	1	Decal	IPS-900