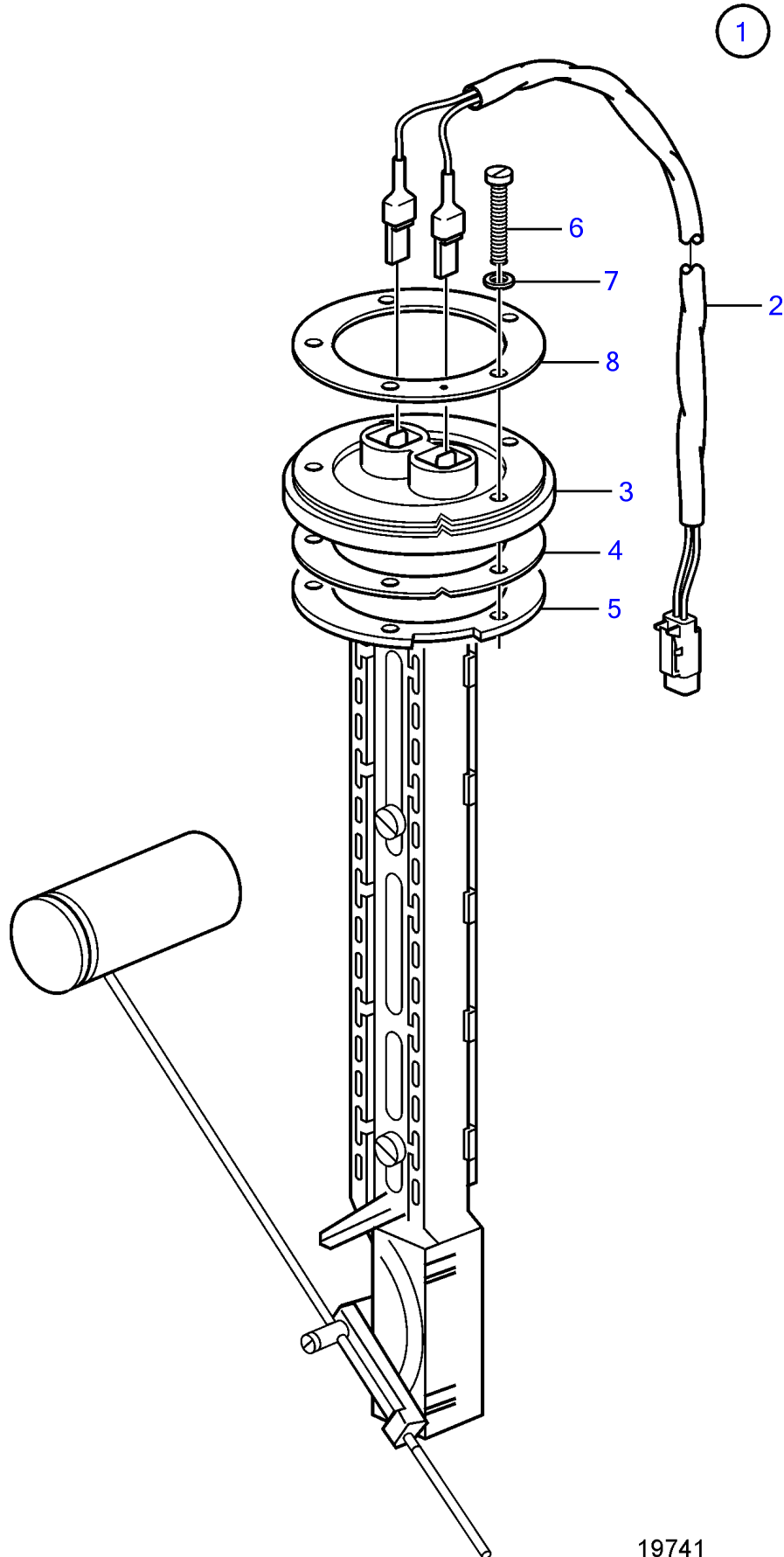


D11A-A, D11A-D



D11A-A, D11A-D

REF	PART NO.	QTY	DESCRIPTION	NOTES
1	874840	1	Sensor, set	
2	874807	1	• Cable kit	L=6.0m
3	873772	1	• Tank sensor	
4	89865	1	• • Gasket	
5	834480	1	• • Flange	
6	969407	4	• • 6 point socket screw	L=16mm (956078)
	956081	1	• • Cross recessed screw	L=25mm
7	834481	5	• • Gasket	
8		1	• • Flange	