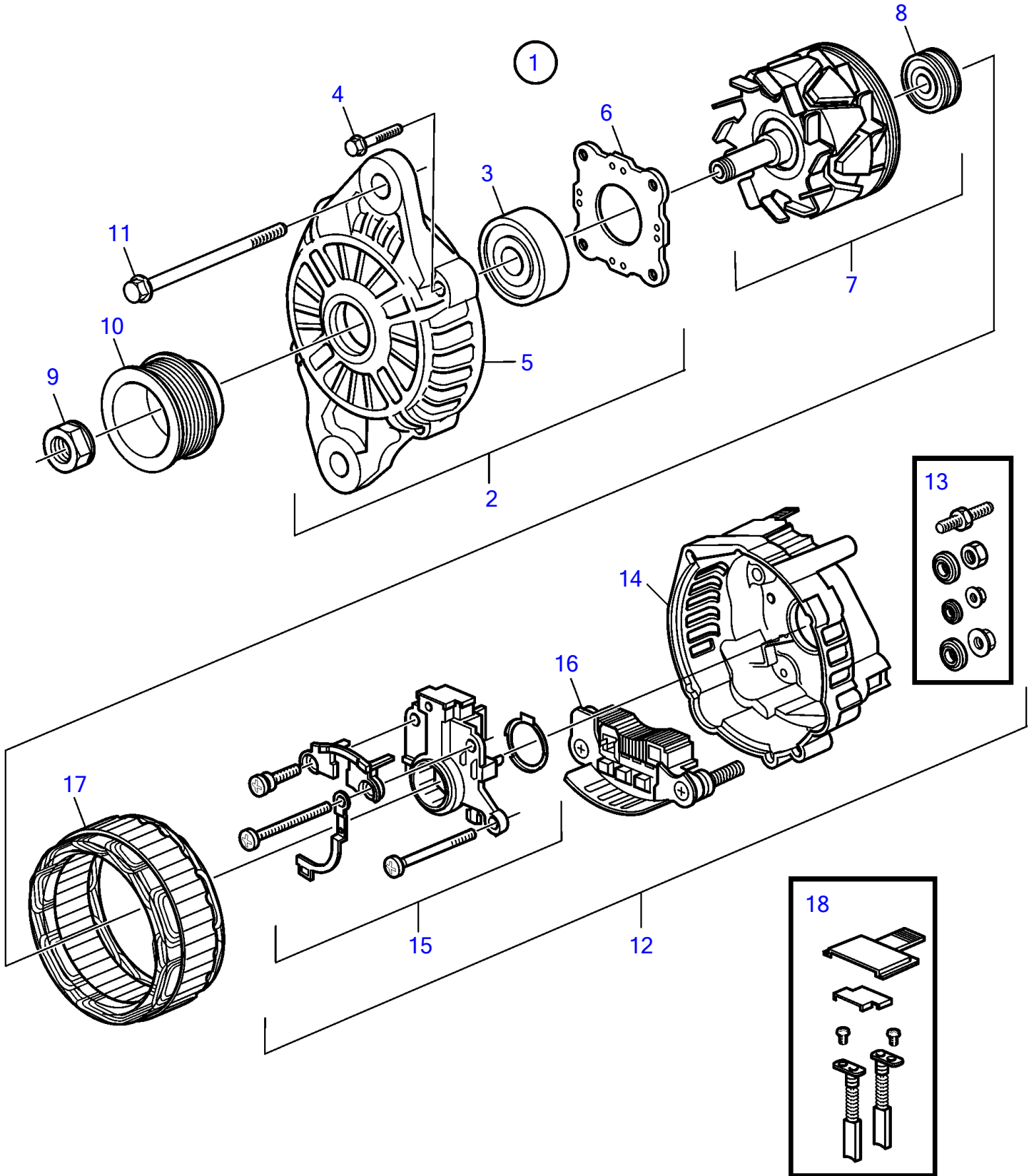


D11A-A, D11A-B, D11A-C, D11A-D



D11A-A, D11A-B, D11A-C, D11A-D

| REF | PART NO. | QTY | DESCRIPTION | NOTES |
|-----|-----------|-----|-------------------|---------------------------------------|
| 1 | 3803846 | 1 | Alternator, exch | 14V 115A |
| | 3803845 | 1 | Alternator, exch | 28V 80A |
| 2 | | 1 | • Bearing housing | |
| 3 | | 1 | • • Ball bearing | |
| 4 | | 1 | • • Screw kit | |
| 5 | | 1 | • • End plate | |
| 6 | | 1 | • • Plate | |
| 7 | | 1 | • Rotor kit | |
| 8 | | 1 | • • Ball bearing | |
| 9 | 3818955 | 1 | • Nut set | |
| 10 | 3840291 | 1 | • Pulley | |
| 11 | | 1 | • Screw kit | |
| 12 | | 1 | • Bearing housing | |
| 13 | 3818997 | 1 | • • Connector kit | |
| 14 | | 1 | • • End plate | |
| 15 | 3840307 | 1 | • • Regulator kit | |
| 16 | (3818995) | 1 | • • Rectifier | Obsolete part, For alternator 3803846 |
| | 3840309 | 1 | • • Rectifier | For alternator 3803845 |
| 17 | | 1 | • Stator | |
| 18 | 3818999 | 1 | • Brush set | |