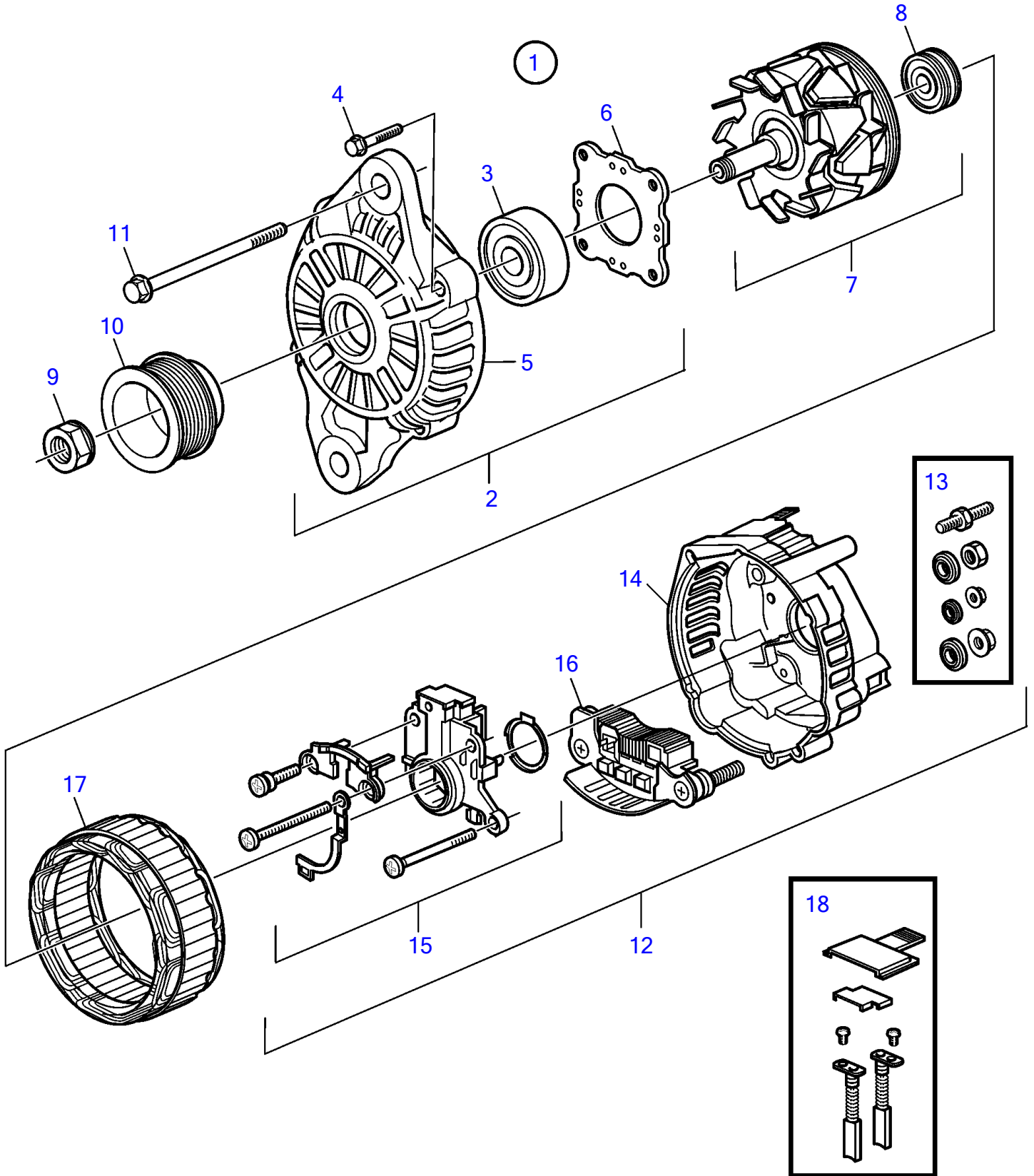


D11A-A, D11A-B, D11A-C, D11A-D



22144

D11A-A, D11A-B, D11A-C, D11A-D

REF	PART NO.	QTY	DESCRIPTION	NOTES
1	3803846	1	Alternator, exch	14V 115A
	3803845	1	Alternator, exch	28V 80A
2		1	• Bearing housing	
3		1	• • Ball bearing	
4		1	• • Screw kit	
5		1	• • End plate	
6		1	• • Plate	
7		1	• Rotor kit	
8		1	• • Ball bearing	
9	3818955	1	• Nut set	
10	3840291	1	• Pulley	
11		1	• Screw kit	
12		1	• Bearing housing	
13	3818997	1	• • Connector kit	
14		1	• • End plate	
15	3840307	1	• • Regulator kit	
16	(3818995)	1	• • Rectifier	Obsolete part, For alternator 3803846
	3840309	1	• • Rectifier	For alternator 3803845
17		1	• Stator	
18	3818999	1	• Brush set	