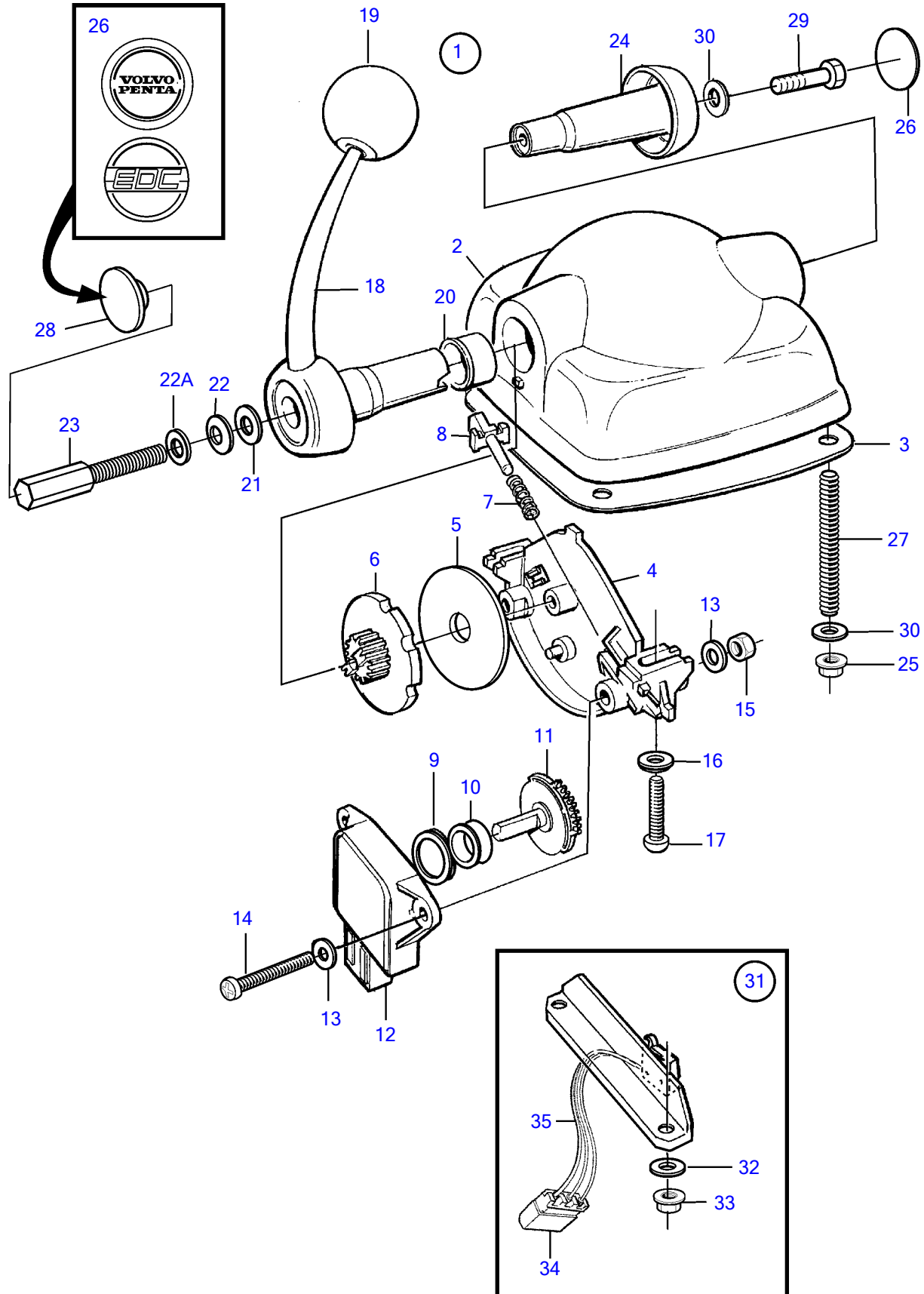


D11A-A, D11A-D



D11A-A, D11A-D

REF	PART NO.	QTY	DESCRIPTION	SEE SEC.	NOTES
1	3819899	1	Control		For single installation., Black., With neutralswitch.
			Bulletin P-28-4-13	P-28-4-13-EN	New Electronic Controls for EVC Engines
1	3819901	1	Control		For single installation., Stainless., With neutralswitch.
			Bulletin P-28-4-13	P-28-4-13-EN	New Electronic Controls for EVC Engines
2		1	• Housing		
3	3581674	1	• Gasket		
4		1	• Plate		
5	3581666	1	• Friction washer		
6		1	• Disc		
7		1	• Spring		
8		1	• Guide lug		
9		1	• Spacer ring		
10	3581676	1	• Ring		
11	(3581668)	1	• Gear		Obsolete part
12	1336385	1	• Potentiometer		
13		4	• Washer		
14	3581678	2	• Screw		
15	3581680	2	• Nut		
16		2	• Washer		
17	3581681	2	• Screw		
18		1	• Shift lever		
19	3581675	1	• Ball		
20	(3581673)	1	• Bearing		Obsolete part
21		1	• Washer		
22		1	• Disc spring		
22A		1	• Washer		
23		1	• Adjusting screw		
24	3581687	1	• Plug		
25	3581686	4	• Nut		
26	3584000	1	• Decal		Volvo Penta
	3581669	1	• Decal		EDC
27		4	• Stud		
28	3582830	1	• Plug		Plastic, For 874734
29		1	• Plug		Stainless., For 3807509
		1	• Screw		
30		5	• Washer		
31	3818851	1	• Microswitch		(873870)
32		2	• • Washer		
33		2	• • Nut		
34		X	• • Insulator		See group 30
35		X	• • Cable		See group 30