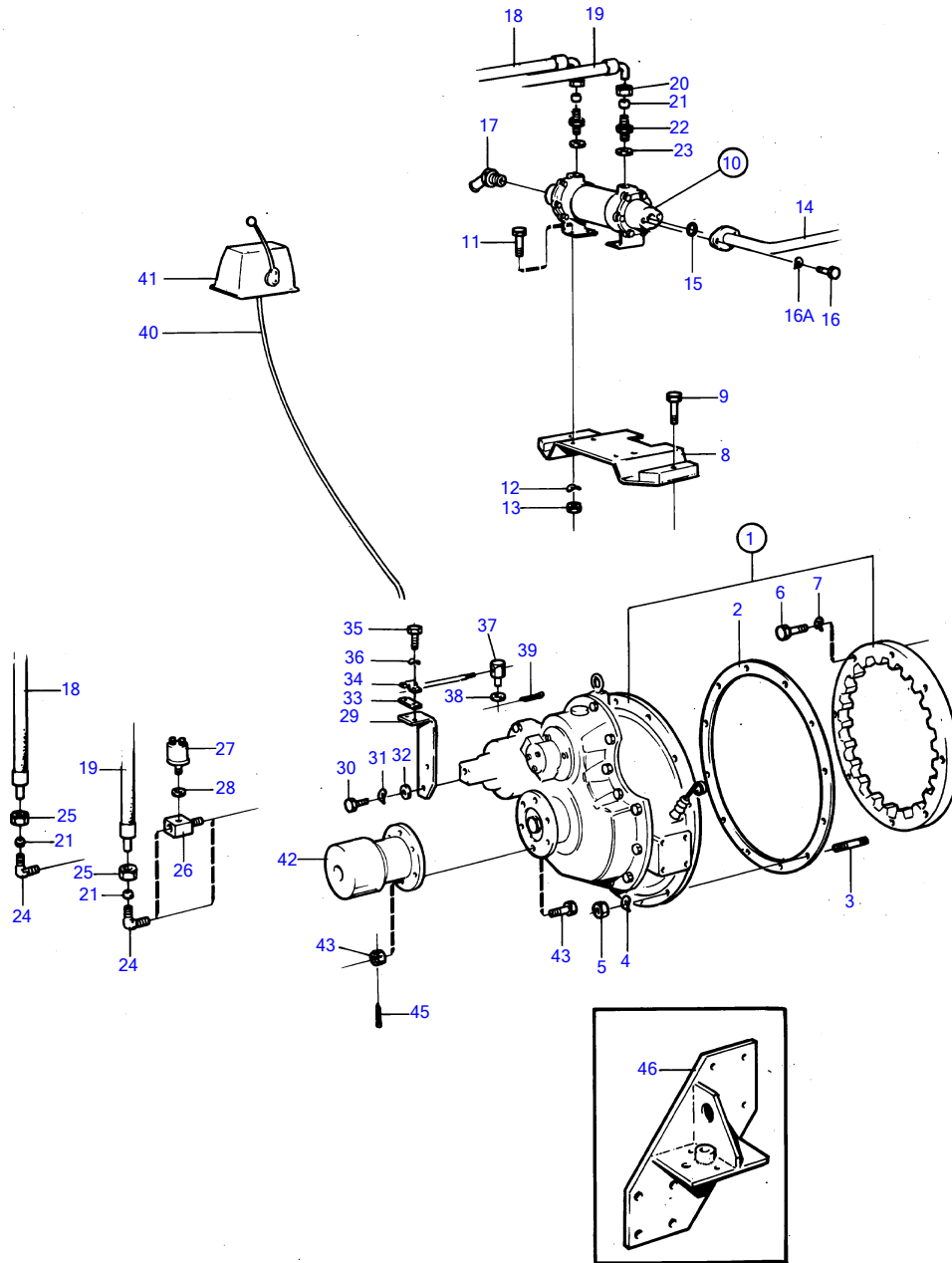


TAMD70E



7475

TAMD70E

REF	PART NO.	QTY	DESCRIPTION	SEE SEC.	NOTES
1		1	rev.gear, ratio 1,51:1		
		1	rev.gear, ratio 1,98:1		
			• component not spec		
2	862623	1	Gasket		
3	953486	11	Stud		
	955536	1	Hexagon screw		
4	942336	12	Spring washer		
5	955827	11	Hexagon nut		
6	940162	8	Hexagon screw		
7	942336	8	Spring washer		
8	(847020)	1	Bracket		Obsolete part
9	955592	2	Hexagon screw		
10	844114	1	Oil cooler		
			•	16893	
11	940135	4	Hexagon screw		
12	941907	4	Spring washer		
13	955826	4	Hexagon nut		
14		1	pipe		See group 2B
15	836778	1	Gasket		
16	940135	2	Hexagon screw		
16A	941907	2	Spring washer		
17	(836759)	1	Hose attachment		Obsolete part
18	848254	1	Hose		L=660mm
19	847165	1	Hose		L=580mm
20	941331	2	Fitting nut		
21	956970	4	Ferrule		
22	943755	2	Fitting		
23	957184	2	Gasket		
24	941757	2	Elbow nipple		
25	956984	2	Fitting nut		
26	842425	1	Nipple		
27	837781	1	Oil pressure sensor		See group 3
28	957181	1	Gasket		
29	(848223)	1	Bracket		Obsolete part
30	955309	2	Hexagon screw		
31	941907	2	Spring washer		
32	955894	2	Washer		
33	819068	1	Washer		
34	21471054	1	Bracket		
35	950021	2	Cross recessed screw		
36	941905	2	Spring washer		
37	(813674)	1	Cube		Obsolete part
38	940191	1	Washer		
39	17276	1	Split pin		
40		X	control cable		See group 9
41		X	control device		See group 9
42	842106	1	Companion flange		
43	955738	6	Hexagon screw		
44	955886	6	Castle nut		
45	907861	6	Split pin		
46		2	engine mounts		See group 2A