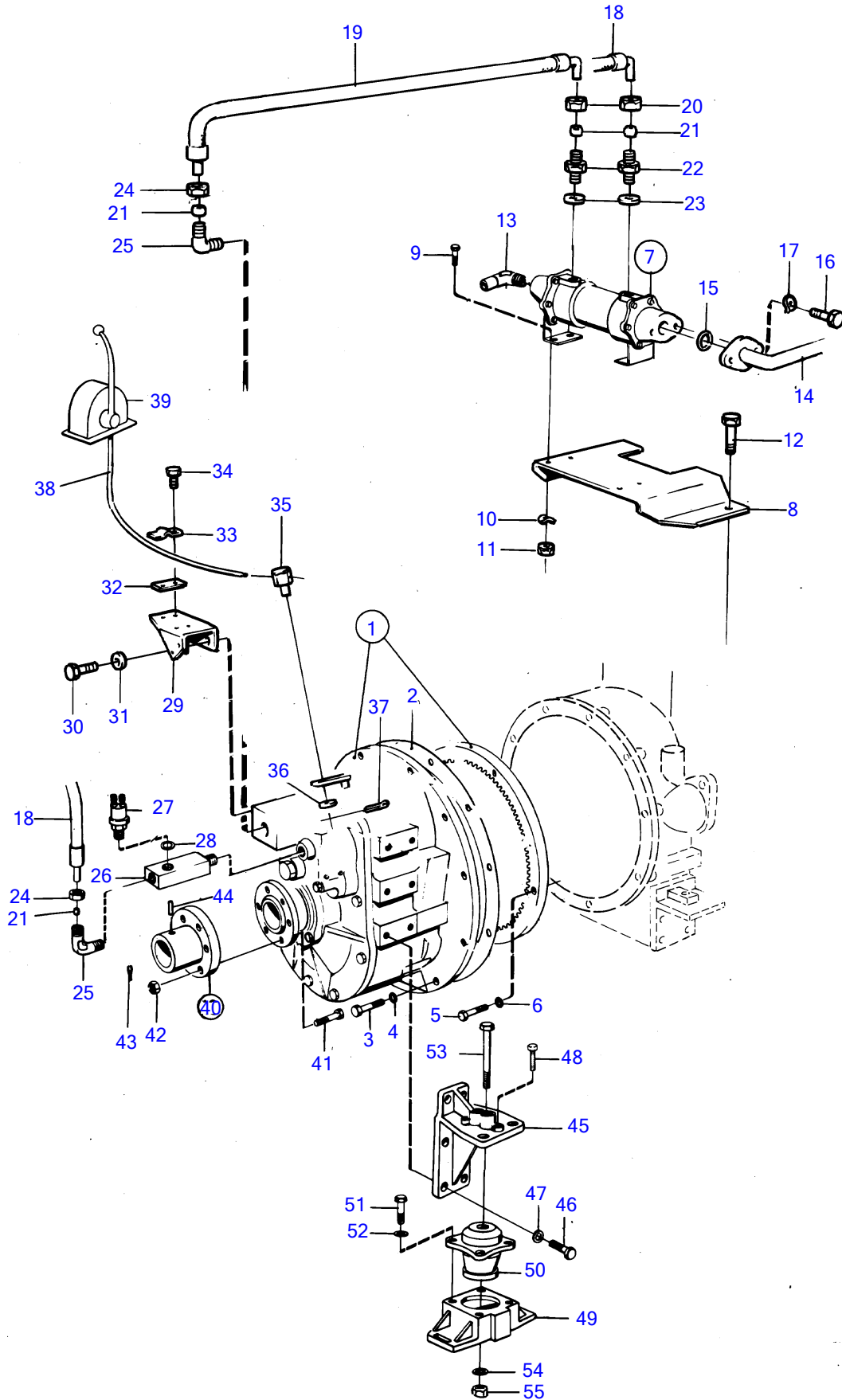


TAMD70E



TAMD70E

REF	PART NO.	QTY	DESCRIPTION	SEE SEC.	NOTES
1		1	rev.gear, ratio 1,47:1		
		1	rev.gear, ratio 1,93:1		
		1	rev.gear, ratio 2,90:1		
		1	• compinents not spec		
2	862623	1	Gasket		
3	955535	11	Hexagon screw		L=32mm
	955536	1	Hexagon screw		L=45mm
4	942336	12	Spring washer		
5	940162	8	Hexagon screw		
6	942336	8	Spring washer		
7	844114	1	Oil cooler		
			•	16893	
8	(847020)	1	Bracket		Obsolete part
9	940135	4	Hexagon screw		
10	941907	4	Spring washer		
11	955826	4	Hexagon nut		
12	955592	2	Hexagon screw		
13	(836759)	1	Hose attachment		Obsolete part
14		1	pipe		See group 2B
15	836778	1	Gasket		
16	940135	2	Hexagon screw		
17	941907	2	Spring washer		
18	847165	1	Hose		L=580mm
19	847165	1	Hose		L=580mm
20	941331	2	Fitting nut		
21	956970	4	Ferrule		
22	943755	2	Fitting		
23	957184	2	Gasket		
24	956984	2	Fitting nut		
25	941750	2	Nipple		
26	842425	1	Nipple		
27	837781	1	Oil pressure sensor		See group 3
28	957181	1	Gasket		
29	(847023)	1	Bracket		Obsolete part
30	955535	2	Hexagon screw		
31	940097	2	Washer		
32	819068	1	Washer		
33	21471054	1	Bracket		
34	950021	2	Cross recessed screw		
35	(813674)	1	Cube		Obsolete part
36	940191	1	Washer		
37	17276	1	Split pin		
38		X	control cable		See group 9
39		X	control		See group 9
40	830737	1	Clutch flange		
41	955737	6	• Hexagon screw		
42	955886	6	• Castle nut		
43	907861	6	• Split pin		
44	907619	1	• Taper pin		
45	(837715)	2	Bracket		Obsolete part
46	955561	12	Hexagon screw		
47	940280	12	Spring washer		
48	837717	2	Screw		
49	(837716)	2	Anchorage		See group 2A, Obsolete part
50		2	rubber element		See group 2A
51	955317	8	Hexagon screw		
52	941908	8	Spring washer		
53	(955378)	2	Hexagon screw		Obsolete part
54	941912	2	Spring washer		
55	955785	2	Hexagon nut		