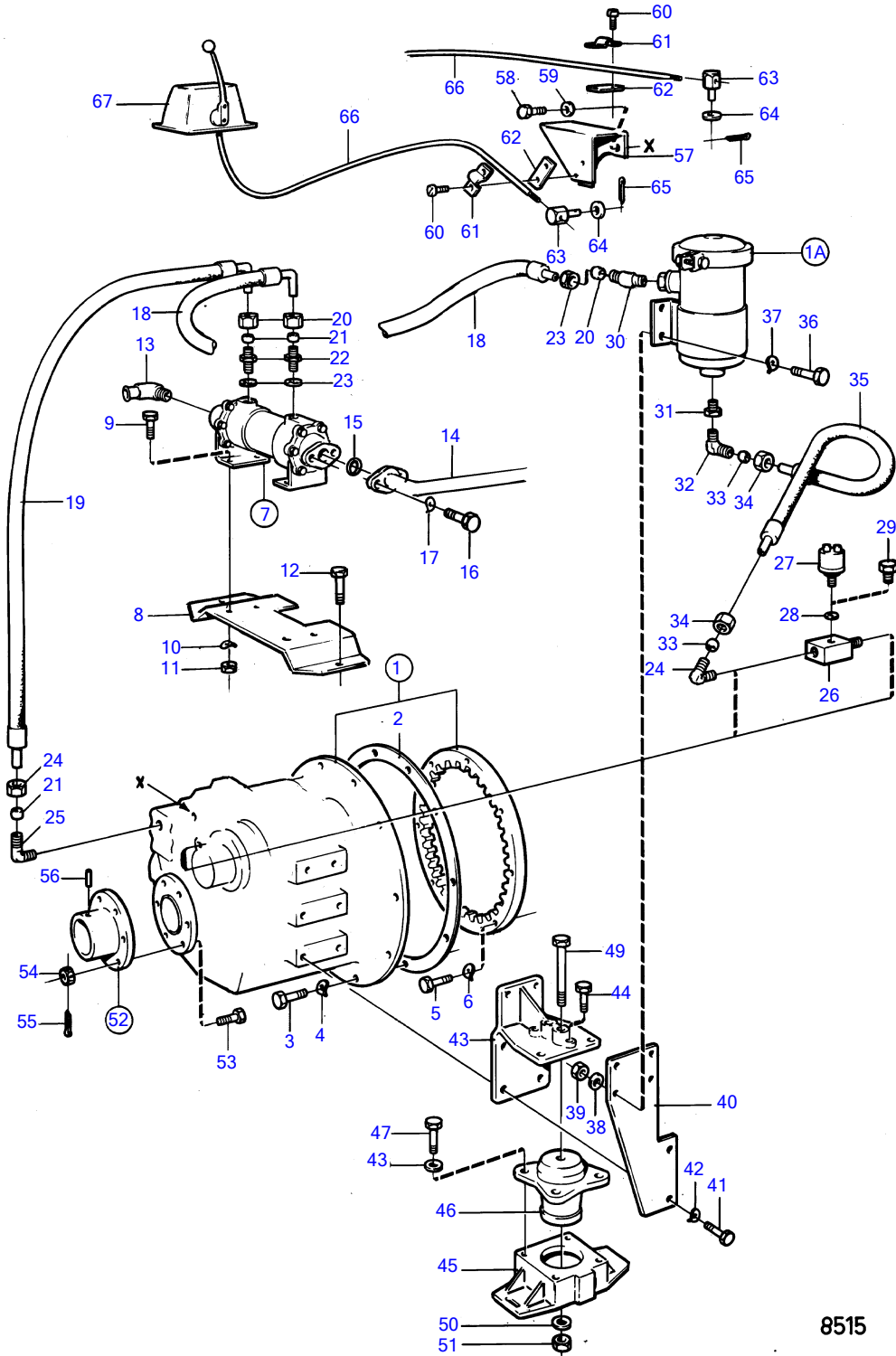


TAMD70E



TAMD70E

REF	PART NO.	QTY	DESCRIPTION	SEE SEC.	NOTES
1		1	rev.gear, ratio 1,47:1		
		1	rev.gear, ratio 1,93:1		
		1	• components not spec		
1A		1	• oil filter		
2	862623	1	Gasket		
3	955535	11	Hexagon screw		L=32mm
	955536	1	Hexagon screw		L=45mm
4	942336	12	Spring washer		
5	940162	8	Hexagon screw		
6	942336	8	Spring washer		
7	844114	1	Oil cooler		
			•	16893	
8	(847020)	1	Bracket		Obsolete part
9	940135	4	Hexagon screw		
10	941907	4	Spring washer		
11	955826	4	Hexagon nut		
12	955592	2	Hexagon screw		
13	(836759)	1	Hose attachment		Obsolete part
14		1	pipe		See group 2B
15	836778	1	Gasket		
16	940135	2	Hexagon screw		
17	941907	2	Spring washer		
18	847165	1	Hose		L=580mm
19	847165	1	Hose		L=580mm
20	941331	2	Fitting nut		
21	956970	4	Ferrule		
22	943755	2	Fitting		
23	957184	2	Gasket		
24	956984	2	Fitting nut		
25	941750	2	Nipple		
26	842425	1	Nipple		
27	837781	1	Oil pressure sensor		See group 3
28	957181	1	Gasket		
29	960632	1	Plug		
30	941750	1	Nipple		
31	(845061)	1	Nipple		Obsolete part
32	941750	1	Nipple		
33	956970	2	Ferrule		
34	956984	2	Fitting nut		
35	837935	1	Hose		
36	940135	4	Hexagon screw		
37	941907	4	Spring washer		
38	955894	4	Washer		
39	955826	4	Hexagon nut		
40	(845836)	1	Bracket		Obsolete part
41	955563	2	Hexagon screw		
42	955898	2	Washer		
43	(837715)	2	Bracket		Obsolete part
44	837717	2	Screw		
45	(837716)	2	Anchorage		Obsolete part, See group 2A
46		2	rubber element		See group 2A
47	955317	8	Hexagon screw		
48	941908	8	Spring washer		
49	(955378)	2	Hexagon screw		Obsolete part
50	941912	2	Spring washer		
51	955785	2	Hexagon nut		
52	830737	1	Clutch flange		
53	955737	6	• Hexagon screw		
54	955886	6	• Castle nut		
55	907861	6	• Split pin		
56	907619	1	• Taper pin		
57	(847023)	1	Bracket		Obsolete part
58	955535	2	Hexagon screw		

TAMD70E

REF	PART NO.	QTY	DESCRIPTION	SEE SEC.	NOTES
59	940097	2	Washer		
60	950021	4	Cross recessed screw		
61	21471054	2	Bracket		
62	819068	2	Washer		
63	(813674)	2	Cube		Obsolete part
64	940191	2	Washer		
65	17276	2	Split pin		
66		X	control cable		See group 9
67		X	control		See group 9