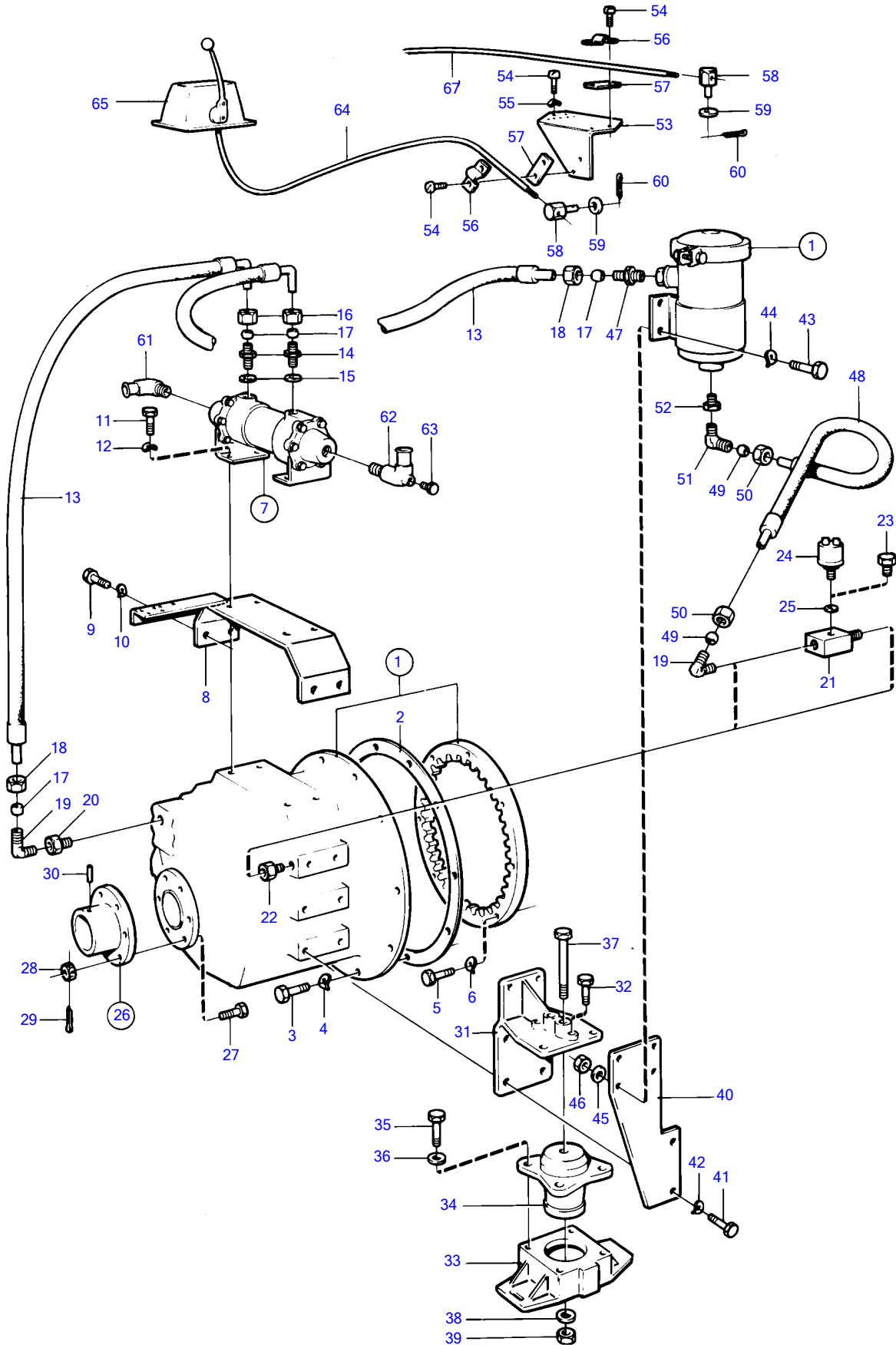


TAMD70D



7156

TAMD70D

REF	PART NO.	QTY	DESCRIPTION	SEE SEC.	NOTES
1		1	rev.gear, ratio 1,47:1		
		1	rev.gear, ratio 1,93:1		
			• components not spec.		
2	862623	1	Gasket		
3	955535	11	Hexagon screw		L=32mm
	955536	1	Hexagon screw		L=45mm
	940115	12	Hexagon screw		L=25mm
4	942336	12	Spring washer		
5	940162	8	Hexagon screw		
6	942336	8	Spring washer		
7	804472	1	Oil cooler		
			•	16893	
8	(837315)	1	Bracket		Obsolete part
9	955560	4	Hexagon screw		
10	940280	4	Spring washer		
11	940113	4	Hexagon screw		
12	941907	4	Spring washer		
13	837355	2	Hose assembly		
14	943755	2	Fitting		
15	957184	2	Gasket		
16	941331	2	Fitting nut		
17	956970	4	Ferrule		
18	956984	2	Fitting nut		
19	941750	2	Nipple		
20	804533	1	Nipple		
21	842425	1	Nipple		
22	(845061)	1	Nipple		Obsolete part
23	960632	1	Plug		
24	837781	1	Oil pressure sensor		See group 3
25	957181	1	Gasket		
26	830737	1	Clutch flange		
27	955737	6	• Hexagon screw		
28	955886	6	• Castle nut		
29	907861	6	• Split pin		
30	907619	1	• Taper pin		
31	(837715)	2	Bracket		Obsolete part
32	837717	2	Screw		
33	(837716)	2	Anchorage		Obsolete part
34	837826	2	Rubber cushion		
35	955317	8	Hexagon screw		
36	941908	8	Spring washer		
37	(955378)	2	Hexagon screw		Obsolete part
38	941912	2	Spring washer		
39	955782	2	Hexagon nut		
40	(845836)	1	Bracket		Obsolete part
41	955563	2	Hexagon screw		
42	955898	2	Washer		
43	940135	4	Hexagon screw		
44	941907	4	Spring washer		
45	955894	4	Washer		
46	955826	4	Hexagon nut		
47	941750	1	Nipple		
48	837355	1	Hose assembly		
49	956970	2	Ferrule		
50	956984	2	Fitting nut		
51	941750	1	Nipple		
52	(845061)	1	Nipple		Obsolete part
53	(845718)	1	Bracket		Obsolete part
54	950021	8	Cross recessed screw		
55	941905	4	Spring washer		
56	21471054	2	Bracket		
57	819068	2	Washer		
58	(813674)	2	Cube		Obsolete part

