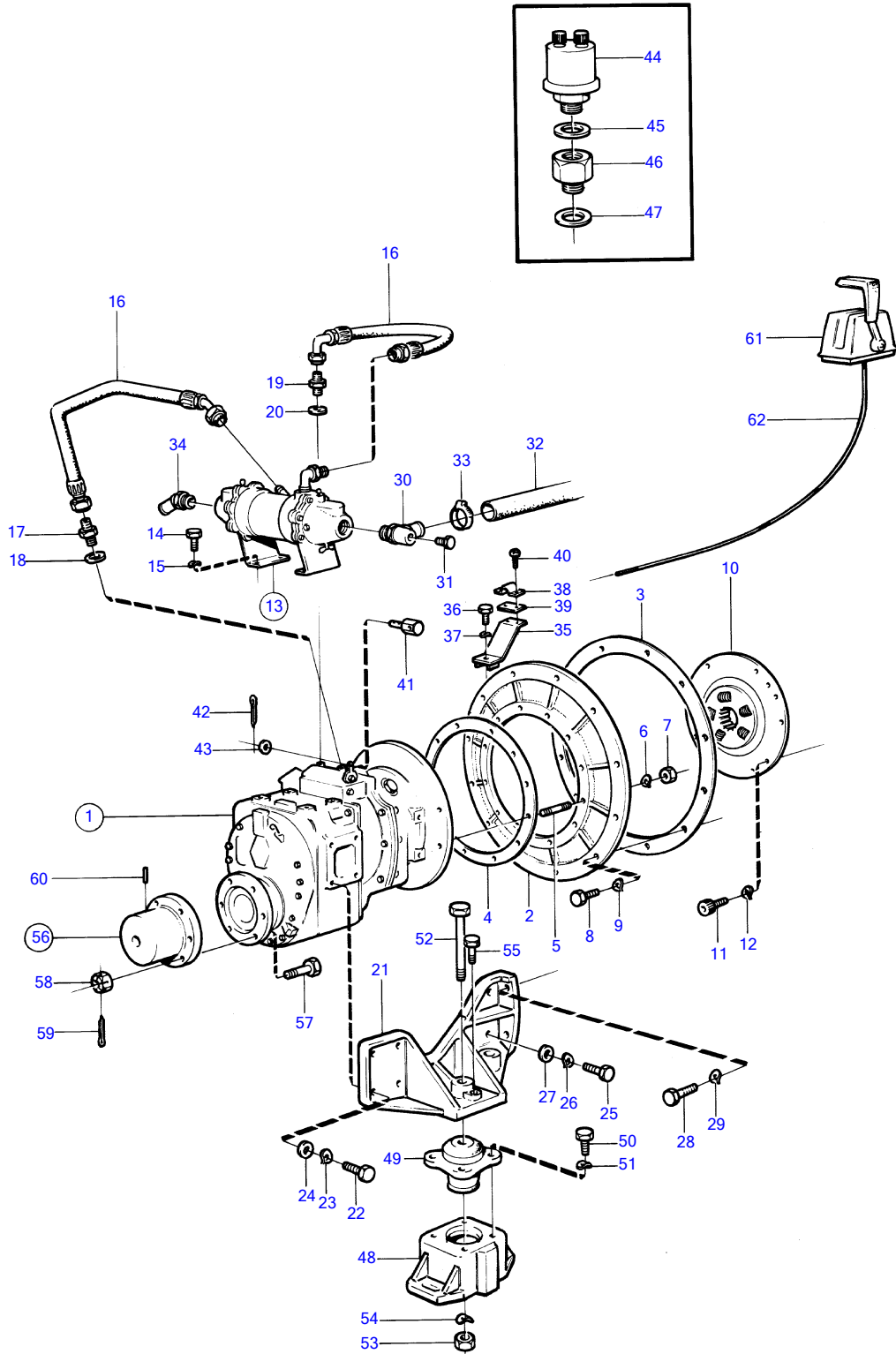


TAMD70D



4759

TAMD70D

REF	PART NO.	QTY	DESCRIPTION	SEE SEC.	NOTES
1		1	rev.gear, ratio 1,5:1		
		1	rev.gear, ratio 2:1		
		1	rev.gear, ratio 3:1		
			• components not spec.		
2	(896697)	1	Connector		Obsolete part
3	862623	1	Gasket		
4	(815247)	1	Gasket		Obsolete part
5	953261	12	Stud		
6	942336	12	Spring washer		
7	955827	12	Hexagon nut		
8	955535	7	Hexagon screw		L=32mm
	955536	1	Hexagon screw		L=45mm
9	942336	8	Spring washer		
10	(843291)	1	Absorber		Obsolete part
11	956582	8	Hex. socket screw		
12	942336	8	Spring washer		
13	(843447)	1	Oil cooler		Obsolete part
			•	16894	
14	955534	4	Hexagon screw		
15	942336	4	Spring washer		
16	(820968)	2	Hose		Obsolete part
17	(942418)	1	Nipple		Obsolete part
18	957184	1	Gasket		
19	(942363)	1	Fitting		Obsolete part
20	(18821)	1	Gasket		Obsolete part
21	(843437)	1	Engine bracket		S.B, Obsolete part
	(843436)	1	Engine bracket		P, Obsolete part
22	955562	8	Hexagon screw		
23	940280	8	Spring washer		
24	955898	8	Washer		
25	940134	4	Hexagon screw		
26	941909	4	Spring washer		
27	955896	4	Washer		
28	940162	4	Hexagon screw		
29	942336	4	Spring washer		
30	(942335)	1	Hose attachment		Obsolete part
31	192134	1	Plug		
32	(13430)	X	Rubber hose		L=430mm, Obsolete part
33	943475	2	Hose clamp		
34	(836759)	1	Hose attachment		Obsolete part
35	(843508)	1	Bracket		Obsolete part
36	940133	1	Hexagon screw		
37	942336	1	Spring washer		
38	21471054	1	Bracket		
39	819068	1	Washer		
40	950021	2	Cross recessed screw		
41	814082	1	Cube		
42	907834	1	Split pin		
43	940191	1	Washer		
44	837781	1	Oil pressure sensor		See group 3
45	957181	1	Gasket		
46	(842714)	1	Nipple		Obsolete part
47	957180	1	Gasket		
48	(837716)	2	Anchorage		Obsolete part
49	837826	2	Rubber cushion		
50	955317	8	Hexagon screw		
51	941908	8	Spring washer		
52	(955378)	2	Hexagon screw		Obsolete part
53	955785	2	Hexagon nut		
54	941912	2	Spring washer		
55	837717	2	Screw		
56		1			
57	955696	6	• Hexagon screw		

