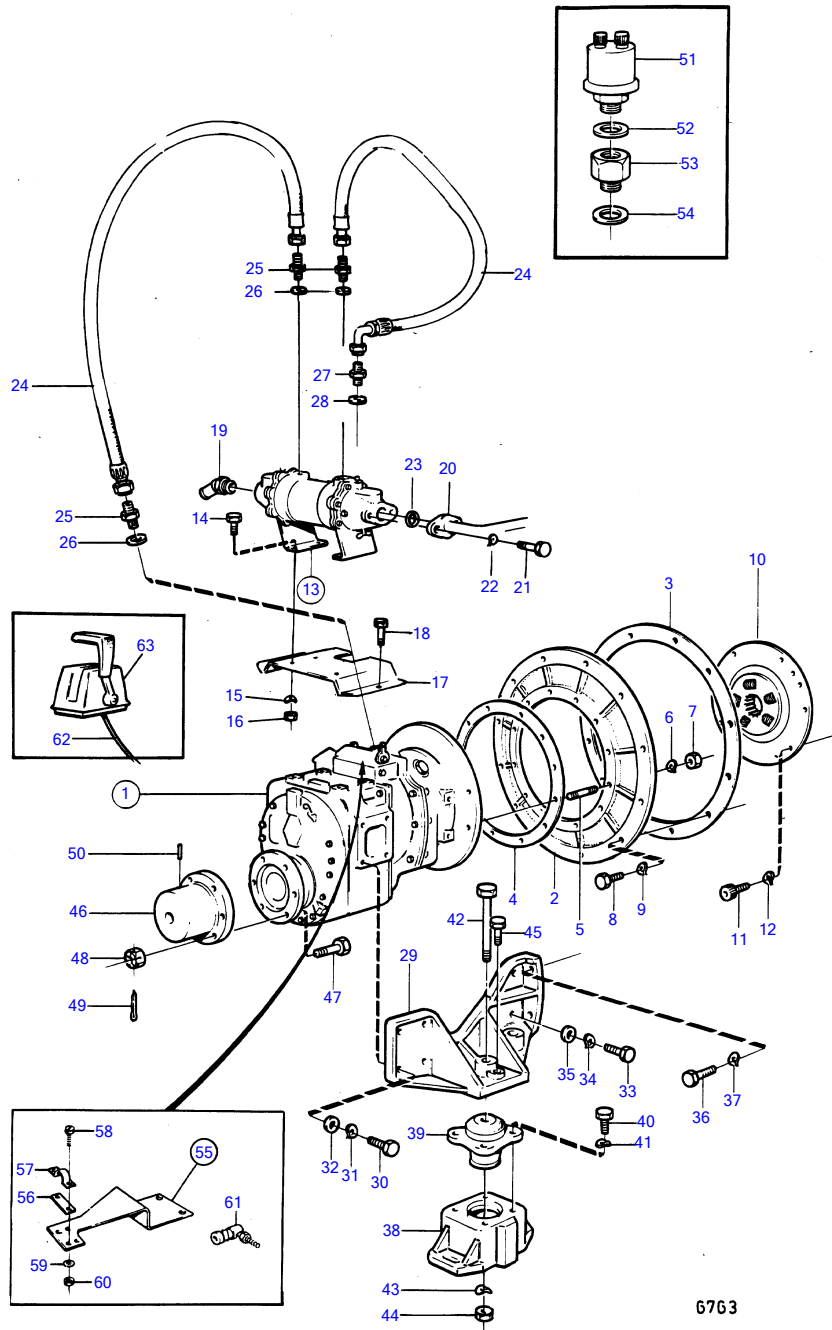


TAMD70E



TAMD70E

REF	PART NO.	QTY	DESCRIPTION	SEE SEC.	NOTES
1		1	rev. gear, ratio 1,5:1		
		1	rev. gear, ratio 1,5:1		Opposite revolution in relation to engine.
		1	rev. gear, ratio 2:1		
		1	rev. gear, ratio 2:1		Opposite revolution in relation to engine.
		1	rev. gear, ratio 3:1		
		1	rev. gear, ratio 3:1		Opposite revolution in relation to engine.
			• components not spec		
2	(896697)	1	Connector		Obsolete part
3	862623	1	Gasket		
4	(815247)	1	Gasket		Obsolete part
5	953261	12	Stud		
6	942336	12	Spring washer		
7	955827	12	Hexagon nut		
8	955535	7	Hexagon screw		L=32mm
	955536	1	Hexagon screw		L=45mm
9	942336	8	Spring washer		
10	(843291)	1	Absorber		Obsolete part
11	956582	8	Hex. socket screw		
12	942336	8	Spring washer		
13	844114	1	Oil cooler		
			•	16893	
14	940135	4	Hexagon screw		
15	941907	4	Spring washer		
16	955826	4	Hexagon nut		
17	(847020)	1	Bracket		Obsolete part
18	955592	2	Hexagon screw		
19	(836759)	1	Hose attachment		Obsolete part
20		1	pipe		See group 2B
21	940135	2	Hexagon screw		
22	941907	2	Spring washer		
23	836778	1	Gasket		
24	(820968)	2	Hose		Obsolete part
25	(942418)	3	Nipple		Obsolete part
26	957184	3	Gasket		
27	(942363)	1	Fitting		Obsolete part
28	(18821)	1	Gasket		Obsolete part
29	(843437)	1	Engine bracket		S.B, Obsolete part
	(843436)	1	Engine bracket		P, Obsolete part
30	955562	8	Hexagon screw		
31	940280	8	Spring washer		
32	955898	8	Washer		
33	940134	4	Hexagon screw		
34	941909	4	Spring washer		
35	955896	4	Washer		
36	940162	4	Hexagon screw		
37	942336	4	Spring washer		
38	(837716)	2	Anchorage		Obsolete part
39		2	rubber element		See group 2A
40	955317	8	Hexagon screw		
41	941908	8	Spring washer		
42	(955378)	2	Hexagon screw		Obsolete part
43	941912	2	Spring washer		
44	955785	2	Hexagon nut		
45	837717	2	Screw		
46	(820933)	1	Clutch flange		Obsolete part
47	955696	6	Hexagon screw		
48	955883	6	Castle nut		
49	907834	6	Split pin		
50	(17186)	1	Taper pin		Obsolete part
51	837781	1	Oil pressure sensor		See group 3
52	957181	1	Gasket		See group 3
53	(842714)	1	Nipple		Obsolete part
54	957180	1	Gasket		

TAMD70E

REF	PART NO.	QTY	DESCRIPTION	SEE SEC.	NOTES
55	(823955)	1	Anchorage		Obsolete part
56	819068	1	• Washer		
57	21471054	1	• Bracket		
58	192010	2	• Cross recessed screw		
59	(955946)	2	• Toothed washer		Obsolete part
60	955844	2	• Hexagon nut		
61	(836342)	1	• Ball joint		Obsolete part
62		X	control cable		See group 9
63		X	control		See group 9