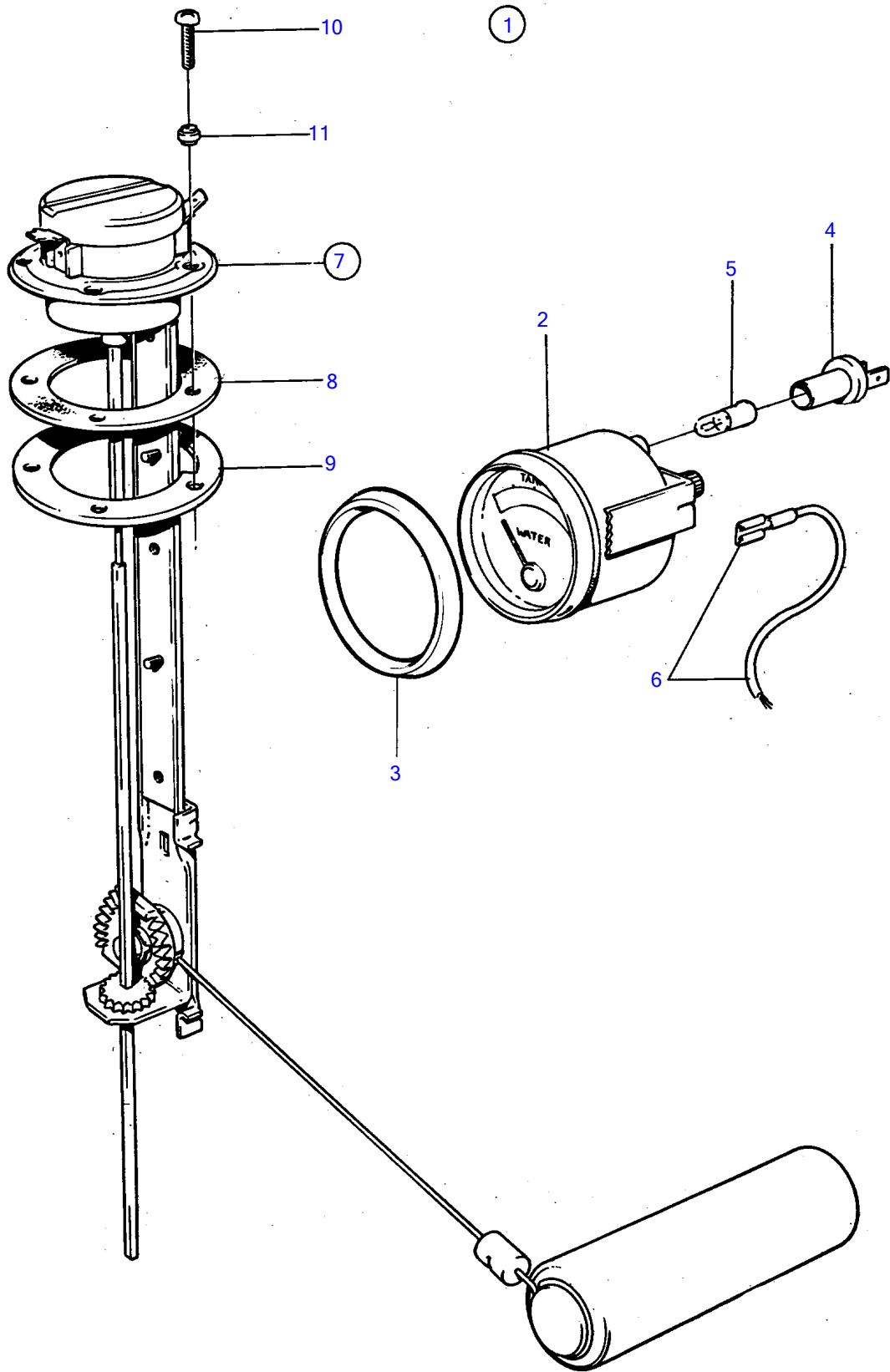


AQD70D, TAMD70D, TAMD70E



AQD70D, TAMD70D, TAMD70E

REF	PART NO.	QTY	DESCRIPTION	SEE SEC.	NOTES
1	828716	1	Water level gauge		12V
2	828635	1	• Water level gauge	16949	
3	828542	1	• Front ring	16949	
4	808175	1	• Lamp socket		
5	19923	1	• Bulb		
6		X	• cables and terminals		See group 3
7	834389	1	• Tank sensor		
8	89865	1	• • Gasket		
9	834480	1	• • Flange		
10	956078	4	• • Cross recessed screw		L=16mm
	956081	1	• • Cross recessed screw		L=25mm
11	834481	5	• • Gasket		