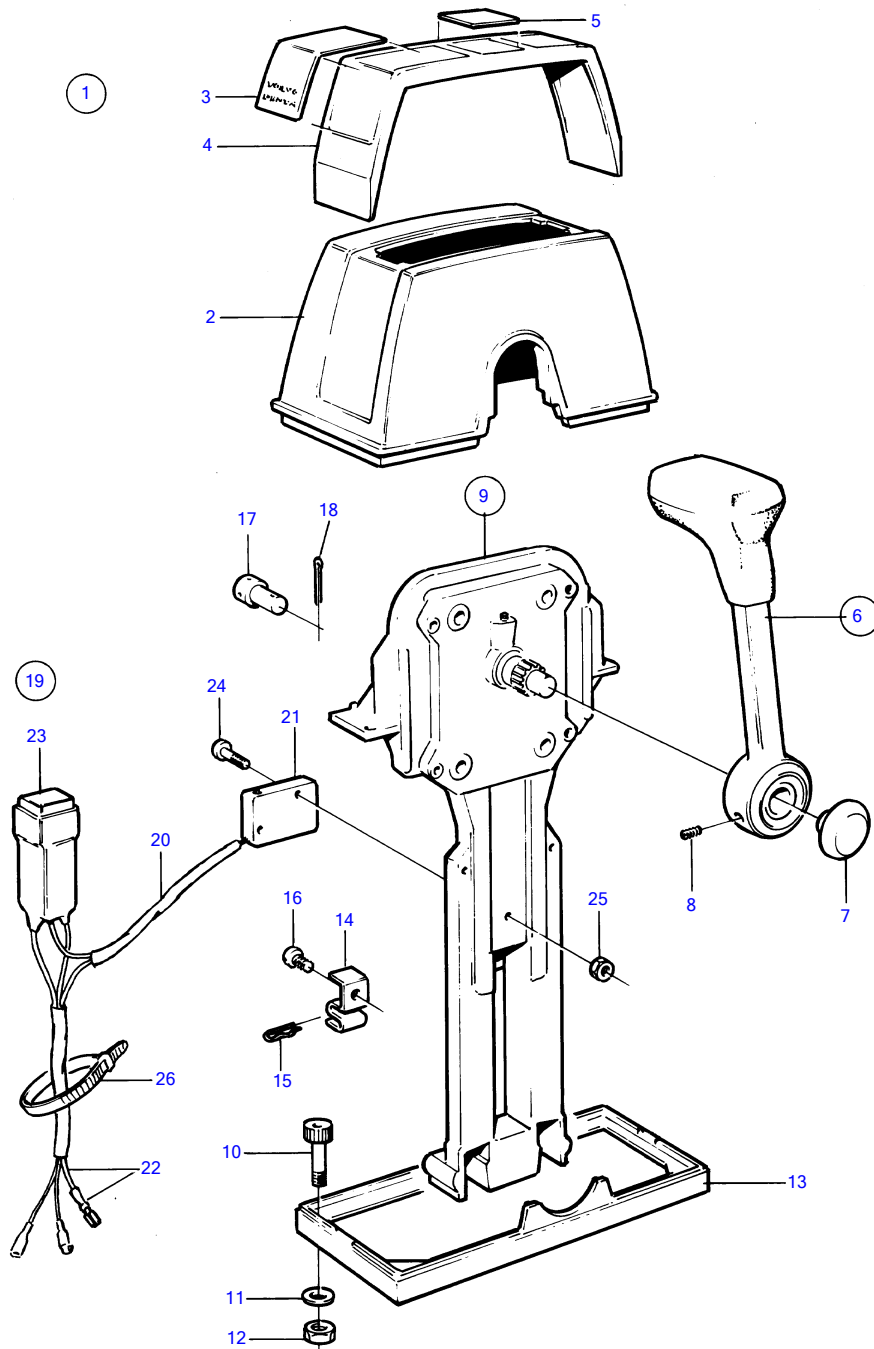


AQD70D, TAMD70D, TAMD70E



7470

AQD70D, TAMD70D, TAMD70E

REF	PART NO.	QTY	DESCRIPTION	NOTES
1	853169	1	Mounting kit	Twin
2	851885	1	• Cover	Obsolete part
3	851895	2	• Decal	
4		1	• Crossbar	
5	851897	1	• Decal	
6	852347	2	• Hand lever	
7	853004	2	• • Push button	
8	963678	2	• • Hex. socket screw	
9	851600	2	• Control	
10	947671	4	• Hex. socket screw	
11	960138	4	• Washer	
12	955780	4	• Hexagon nut	
13	839479	1	• Plate	
14	853423	2	• Retainer	
15	852924	2	• Clip	
16	839664	2	Screw	
17	839638	2	Cube	
18	17253	2	Split pin	
19	855352	2	Neutral position con	
20	839619	2	• Cable kit	Obsolete part
21	850200	2	• • Toggle switch	
22		X	• • cables and terminals	
23	1501832	2	• Relay	
24	946177	4	• Cross recessed screw	
25	947536	4	• Hexagon nut	
26	948210	X	• Cable tie	