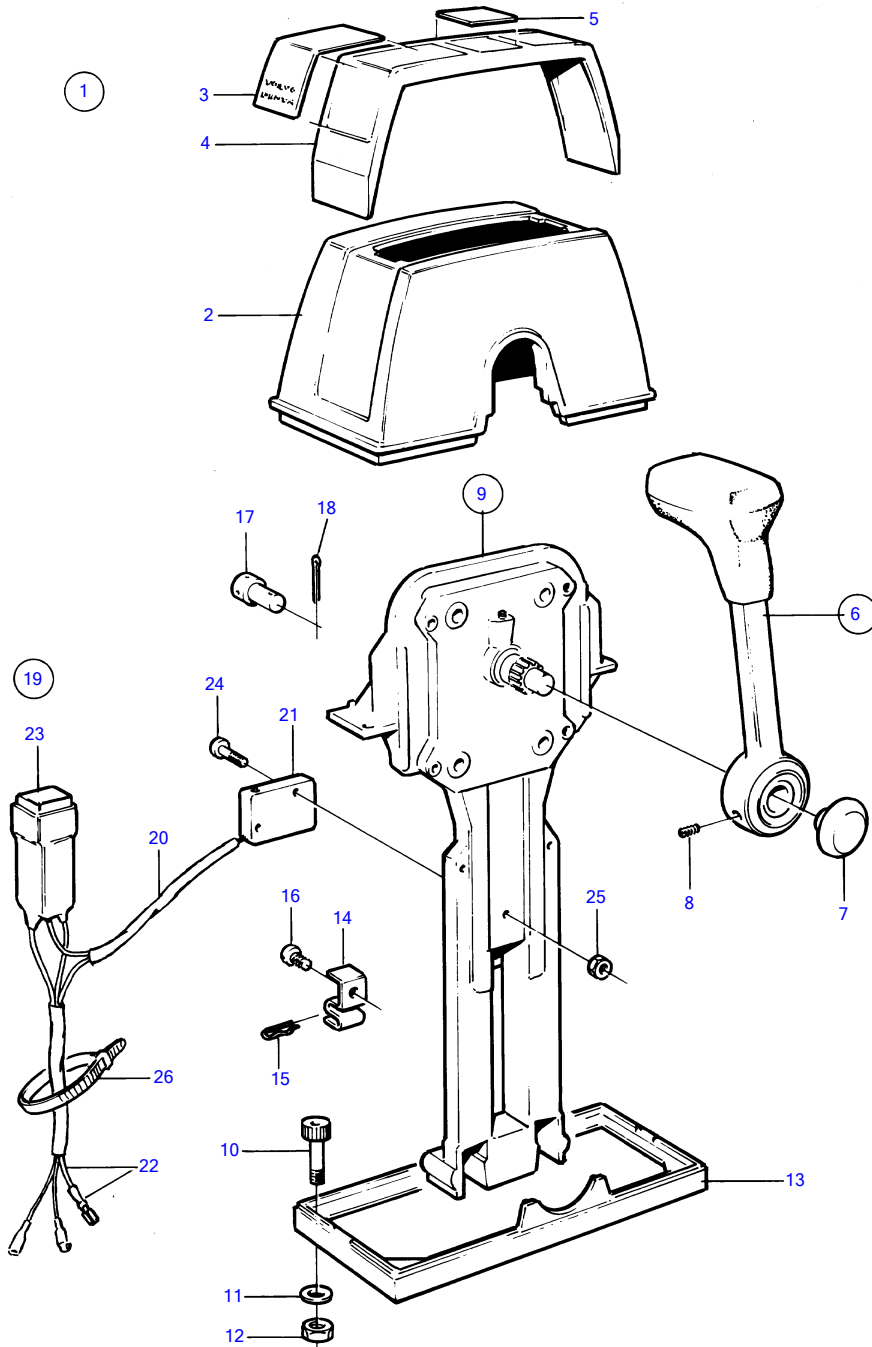


AQD70D, TAMD70D, TAMD70E



7470

AQD70D, TAMD70D, TAMD70E

REF	PART NO.	QTY	DESCRIPTION	SEE SEC.	NOTES
1	853168	1	Mounting kit		Single
2	(851886)	1	• Cover		Obsolete part
3	851896	2	• Decal		
4	(851892)	1	• Crossbar		Obsolete part
5	(851898)	1	• Decal		Obsolete part
6	852347	1	• Hand lever		
			• •	16924	
7	853004	1	• • • Push button		
8	963678	1	• • Hex. socket screw		
9	851600	1	• Control		
10	947671	4	• Hex. socket screw		
11	960138	4	• Washer		
12	955780	4	• Hexagon nut		
13	839474	1	• Plate		
14	853423	1	• Retainer		
15	852924	1	• Clip		
16	839664	1	Screw		
17	839638	1	Cube		
18	17253	1	Split pin		
19	855352	1	Neutral position con		
20	(839619)	1	• Cable kit		Obsolete part
21	850200	1	• • • Toggle switch		
22		X	• • cables and terminals		
23	1501832	1	• Relay		
24	946177	2	• Cross recessed screw		
25	947536	2	• Hexagon nut		
26	948210	X	• Cable tie		