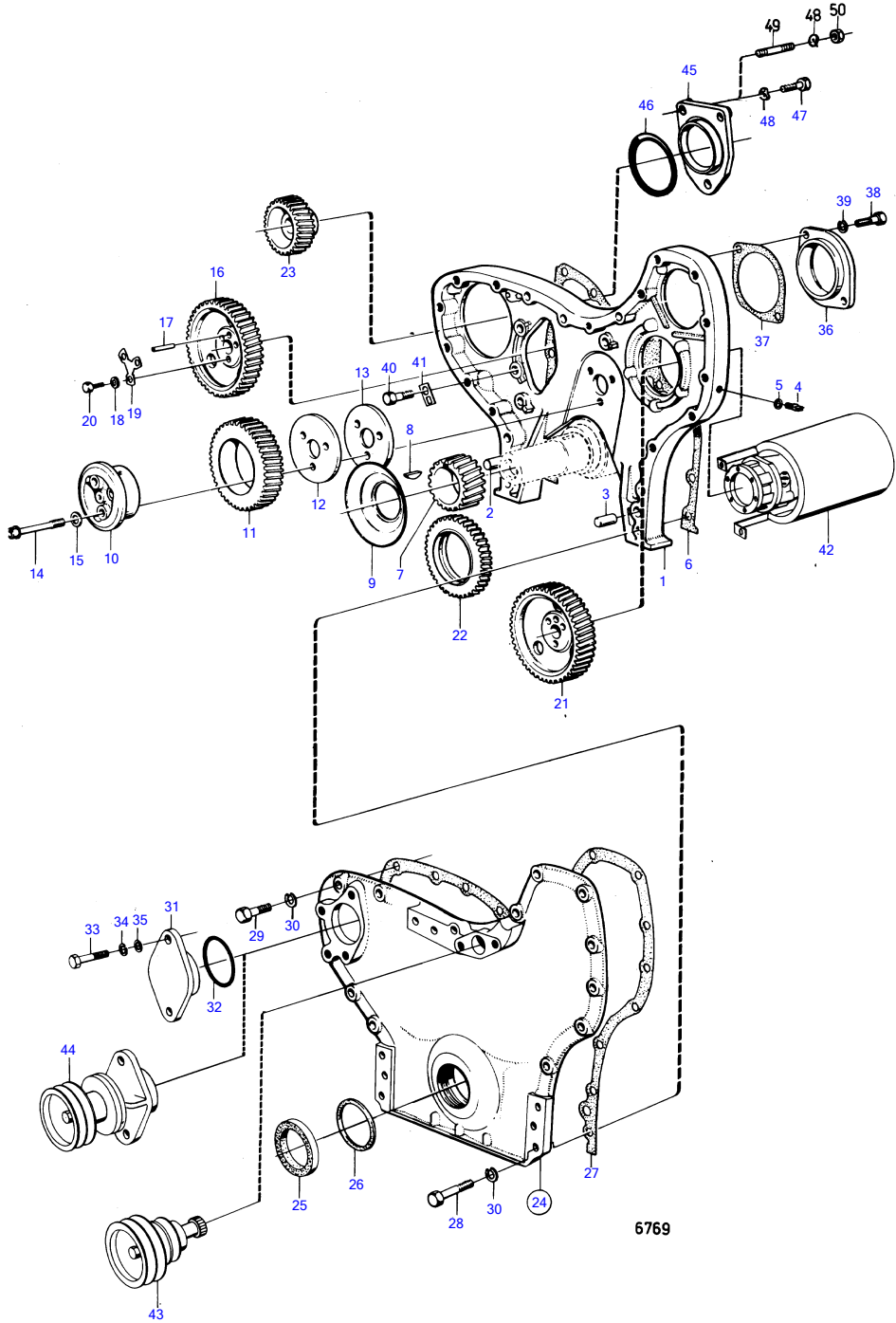


TAMD70E



6769

TAMD70E

REF	PART NO.	QTY	DESCRIPTION	SEE SEC.	NOTES
1	(421413)	1	Timing gear casing		Obsolete part
2	941511	1	Pin		
3	941510	1	Pin		
4	354671	1	Tachometer sensor		See group 3
5	925059	1	O-ring		
6	421057	1	Gasket		
7	(421080)	1	Crankshaft gear	16809	Obsolete part
8	422253	1	Woodruff key	16809	
9	(420172)	1	Oil deflector	16809	Obsolete part
10	467463	1	Bearing spindle		
11	467461	1	Idler gear		
			• Bulletin 45-01	45-01-EN	Timing Gears, 71, 100, 121
12	467529	1	Thrust washer		
13	467528	1	Bearing shield		
14	(422316)	3	Screw		Obsolete part
15	942180	3	Disc spring		
16	(421079)	1	Gear	16810	Obsolete part
17	950588	1	Pin	16810	
18	467055	3	Washer	16810	
19	467052	1	Lock washer	16810	
20	940128	3	Hexagon screw, screw		
				16810	
21	(421079)	1	Gear		Obsolete part, See group 2C
22		1	gear, oil pump		Incl.in oil pump
23		1	gear, sea water pump		See group 2B
24	(896632)	1	Cardboard tube		Obsolete part
25	942083	1	• Sealing ring		
26	471055	1	• Sealing ring		
27	421061	1	Gasket		
28	955530	1	Hexagon screw		L=83mm
	955532	5	Hexagon screw		L=95mm
29	940186	10	Hexagon screw		L=38mm
	955526	4	Hexagon screw		L=51mm
30	941907	21	Spring washer		
31	420183	1	Cover		
32	420213	1	Seal		
33	940115	2	Hexagon screw		
34	942336	2	Spring washer		
35	940097	2	Washer		
36	420183	1	Cover		
37	820751	1	Gasket		
38	940115	2	Hexagon screw		
39	942336	2	Spring washer		
40	955525	5	Hexagon screw		
41	941571	5	Tab washer		
42		1	fuel injection pump		See group 2C
			•		
43		1	circulation pump		See group 2B
44		1	extra drive device		See group 9
45	420178	1	Cover		
46	413619	1	Gasket		
47	955576	3	Hexagon screw		
48	941911	3	Spring washer		