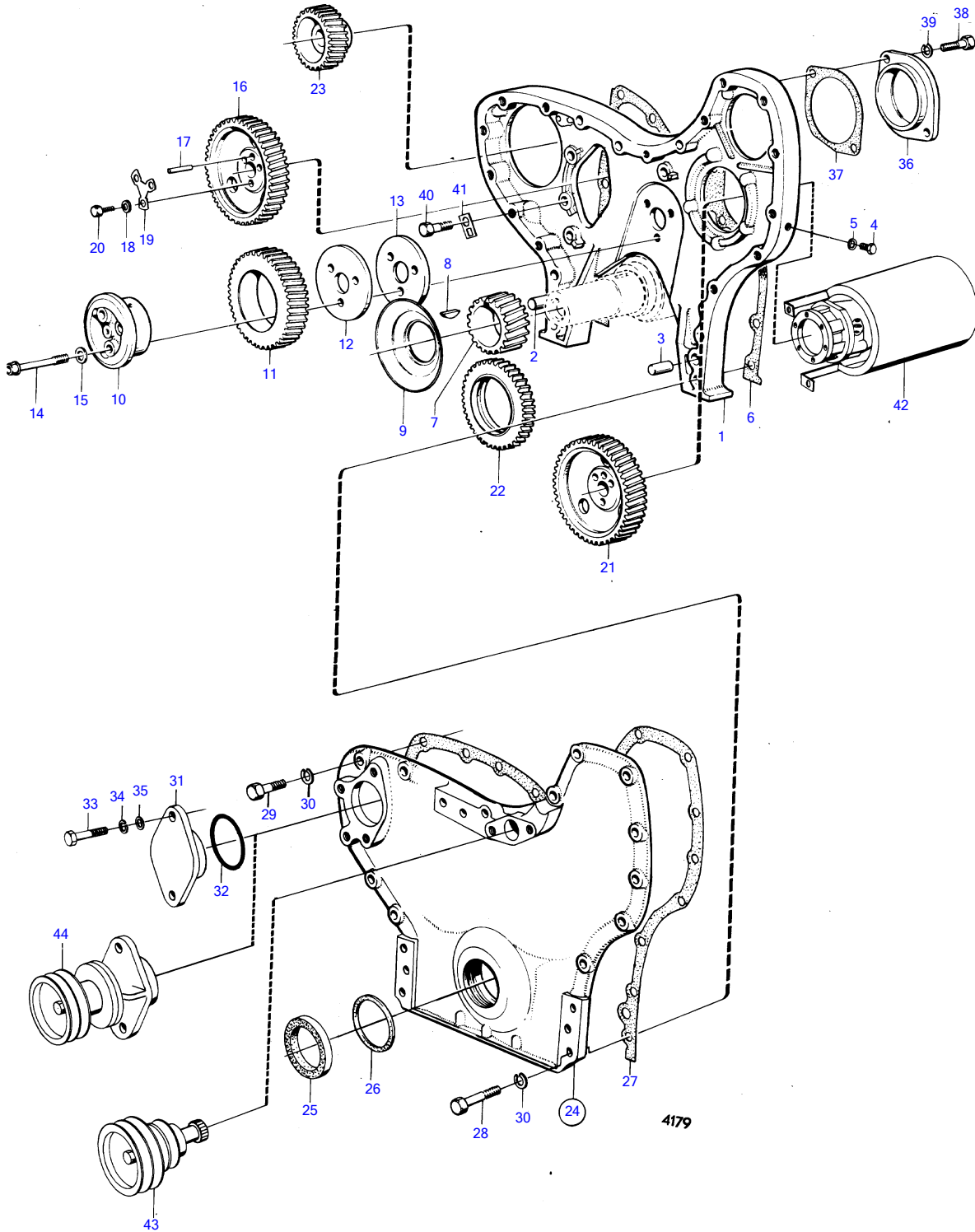


AQD70D, TAMD70D



## AQD70D, TAMD70D

| REF | PART NO. | QTY | DESCRIPTION          | SEE SEC. | NOTES                       |
|-----|----------|-----|----------------------|----------|-----------------------------|
| 1   | (421413) | 1   | Timing gear casing   |          | Obsolete part               |
| 2   | 941511   | 1   | Pin                  |          |                             |
| 3   | 941510   | 1   | Pin                  |          |                             |
| 4   | 354671   | 1   | Tachometer sensor    |          | See group 3                 |
| 5   | 925059   | 1   | O-ring               |          |                             |
| 6   | 421057   | 1   | Gasket               |          |                             |
| 7   | (421080) | 1   | Crankshaft gear      | 16808    | Obsolete part               |
| 8   | 422253   | 1   | Woodruff key         |          |                             |
| 9   | (420172) | 1   | Oil deflector        | 16808    | Obsolete part               |
| 10  | 467463   | 1   | Bearing spindle      |          | M053372/XXXX-               |
| 11  | 467461   | 1   | Idler gear           |          | M053372/XXXX-               |
|     |          |     | Bulletin 45-01       | 45-01-EN | Timing Gears, 71, 100, 121  |
| 12  | 467529   | 1   | Thrust washer        |          | M075673/XXXX-               |
| 13  | 467528   | 1   | Bearing shield       |          | M075673/XXXX-               |
| 14  | (422316) | 3   | Screw                |          | Obsolete part               |
| 15  | 942180   | 3   | Disc spring          |          |                             |
| 16  | (421079) | 1   | Gear                 | 16810    | Obsolete part               |
| 17  | 950588   | 1   | Pin                  |          |                             |
| 18  | 467055   | 3   | Washer               | 16810    |                             |
| 19  | 467052   | 1   | Lock washer          | 16810    |                             |
| 20  | 940128   | 3   | Hexagon screw        | 16810    |                             |
| 21  | (421079) | 1   | Gear                 |          | Obsolete part, See group 2C |
| 22  |          | 1   | gear, oil pump       |          | Incl.in oil pump            |
| 23  |          | 1   | gear, sea water pump |          | See group 2B                |
| 24  | (896632) | 1   | Cardboard tube       |          | Obsolete part               |
| 25  | 942083   | 1   | • Sealing ring       |          |                             |
| 26  | 471055   | 1   | • Sealing ring       |          |                             |
| 27  | 421061   | 1   | Gasket               |          |                             |
| 28  | 955530   | 1   | Hexagon screw        |          | L=83mm                      |
|     | 955532   | 5   | Hexagon screw        |          | L=95mm                      |
|     | 955532   | 1   | Hexagon screw        |          | L=95mm alt                  |
|     | 955533   | 1   | Hexagon screw        |          | L=102mm alt                 |
| 29  | 940186   | 10  | Hexagon screw        |          | L=38mm                      |
|     | 955526   | 4   | Hexagon screw        |          | L=51mm                      |
| 30  | 941907   | 21  | Spring washer        |          |                             |
| 31  | 420183   | 1   | Cover                |          |                             |
| 32  | 420213   | 1   | Seal                 |          |                             |
| 33  | 940115   | 2   | Hexagon screw        |          |                             |
| 34  | 942336   | 2   | Spring washer        |          |                             |
| 35  | 940097   | 2   | Washer               |          |                             |
| 36  | 420183   | 1   | Cover                |          |                             |
| 37  | 820751   | 1   | Gasket               |          |                             |
| 38  | 940115   | 2   | Hexagon screw        |          |                             |
| 39  | 942336   | 2   | Spring washer        |          |                             |
| 40  | 955525   | 5   | Hexagon screw        |          |                             |
| 41  | 941571   | 5   | Tab washer           |          |                             |
| 42  |          | 1   | driving device       |          | See group 2C                |
| 43  |          | 1   |                      |          | See group 2B                |
| 44  |          | 1   | extra drive device   |          | See group 9                 |