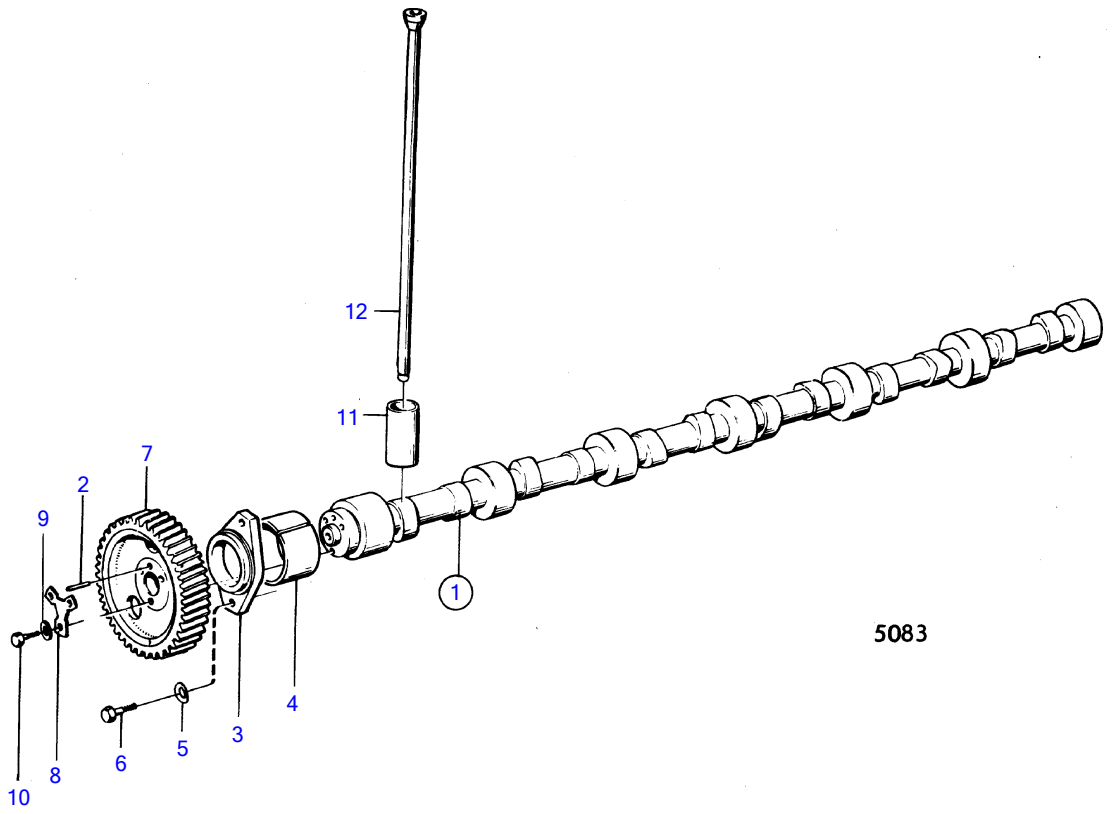


AQD70D, TAMD70D, TAMD70E



AQD70D, TAMD70D, TAMD70E

| REF | PART NO. | QTY | DESCRIPTION   | SEE SEC. | NOTES                  |
|-----|----------|-----|---------------|----------|------------------------|
| 1   | 466259   | 1   | Camshaft      |          |                        |
| 2   | 950588   | 1   | • Pin         |          |                        |
| 3   | 469324   | 1   | Flange        |          |                        |
| 4   |          | 7   | bushing       |          | Incl.in cylinderblock. |
| 5   | 942336   | 2   | Spring washer |          |                        |
| 6   | 940115   | 2   | Hexagon screw |          |                        |
| 7   | (421079) | 1   | Gear          | 16795    | Obsolete part          |
| 8   | 467052   | 1   | Lock washer   | 16795    |                        |
| 9   | 467055   | 3   | Washer        | 16795    |                        |
| 10  | 940128   | 3   | Hexagon screw | 16795    |                        |
| 11  | 421067   | 12  | Valve tappet  |          |                        |
| 12  | 421385   | 12  | Push rod      |          |                        |